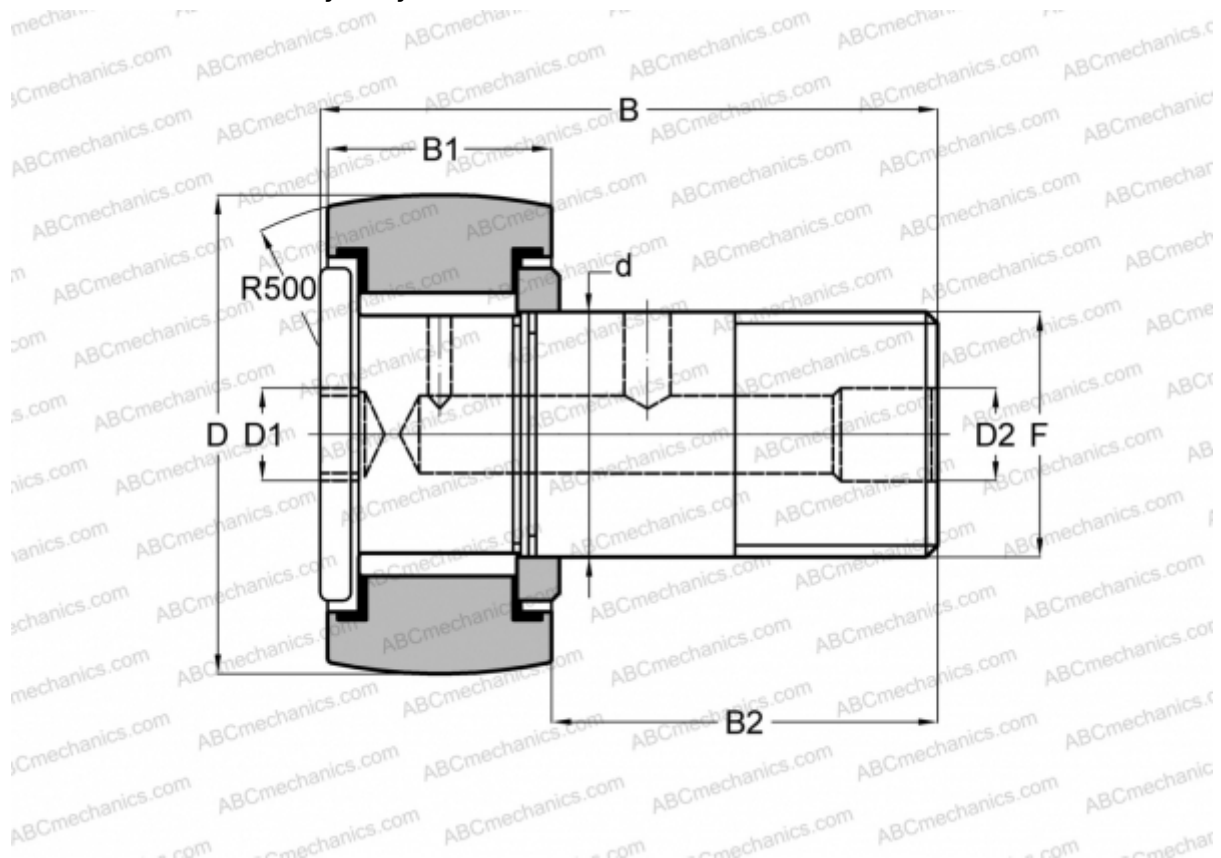


## CFH 3 1/4 (B) McGill

Cam followers

TYPE: Roller bearings, Stud type track rollers, With axial guidance, full complement bearing, gap seal on both side, hex socket, heavy duty, inch size



### Technical specification

#### DIMENSIONS, MM

d	38,100
D	82,550
B	109,980
B1	46,400
B2	63,580
F	1 1/2-12

**WEIGHT, KG** 2,380

**MANUFACTURER** [McGill](#)

#### INTERCHANGE

ABC	<a href="#">CRH 52 V(B)R</a>
IKO	<a href="#">CRH 52 V(B)R</a>