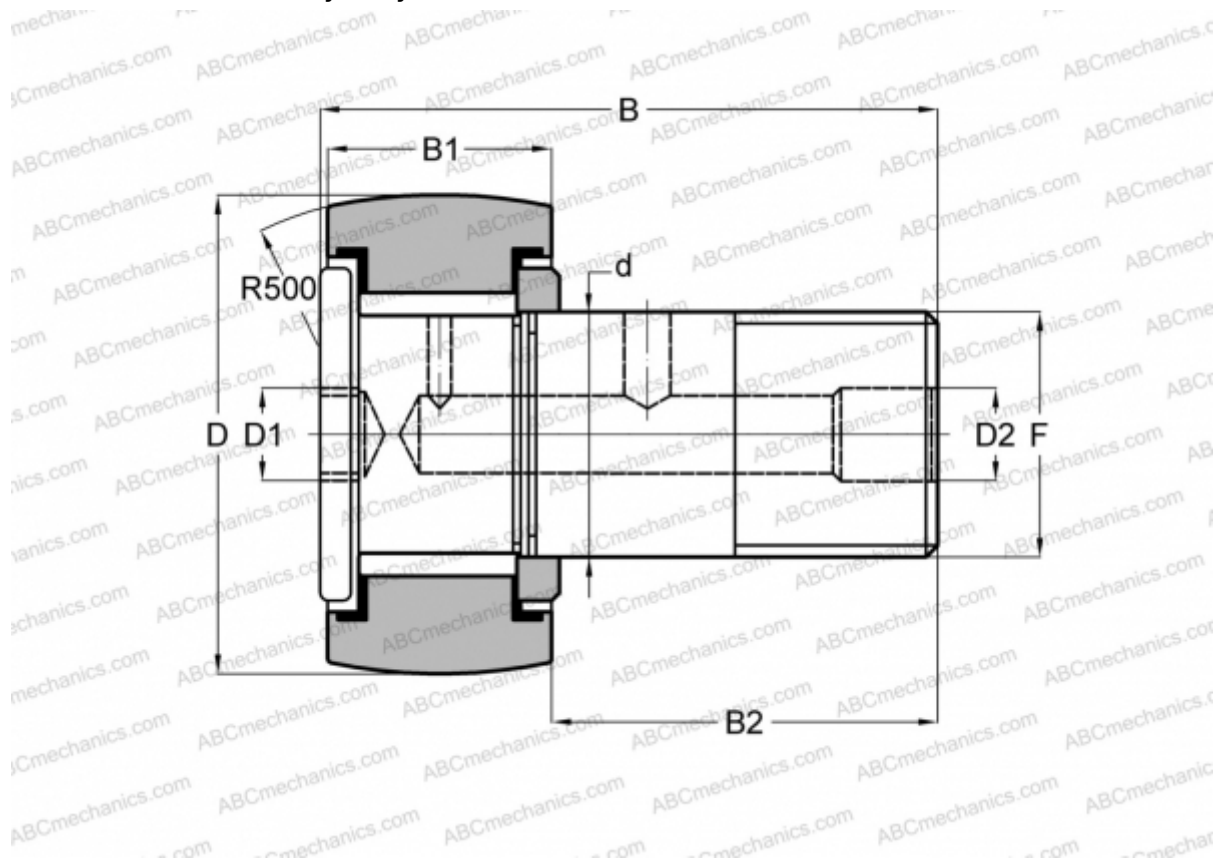


## CRH 56 V(B)R ABC

Cam followers

TYPE: Roller bearings, Stud type track rollers, With axial guidance, full complement bearing, gap seal on both side, hex socket, heavy duty, inch size



### Technical specification

#### DIMENSIONS, MM

d	44,450
D	88,900
B	122,680
B1	52,800
B2	69,880
F	1C-12UN

**WEIGHT, KG** 3,240

**MANUFACTURER** [ABC](#)

#### INTERCHANGE

IKO	<a href="#">CRH 56 V(B)R</a>
McGill	<a href="#">CFH 3 1/2 (B)</a>