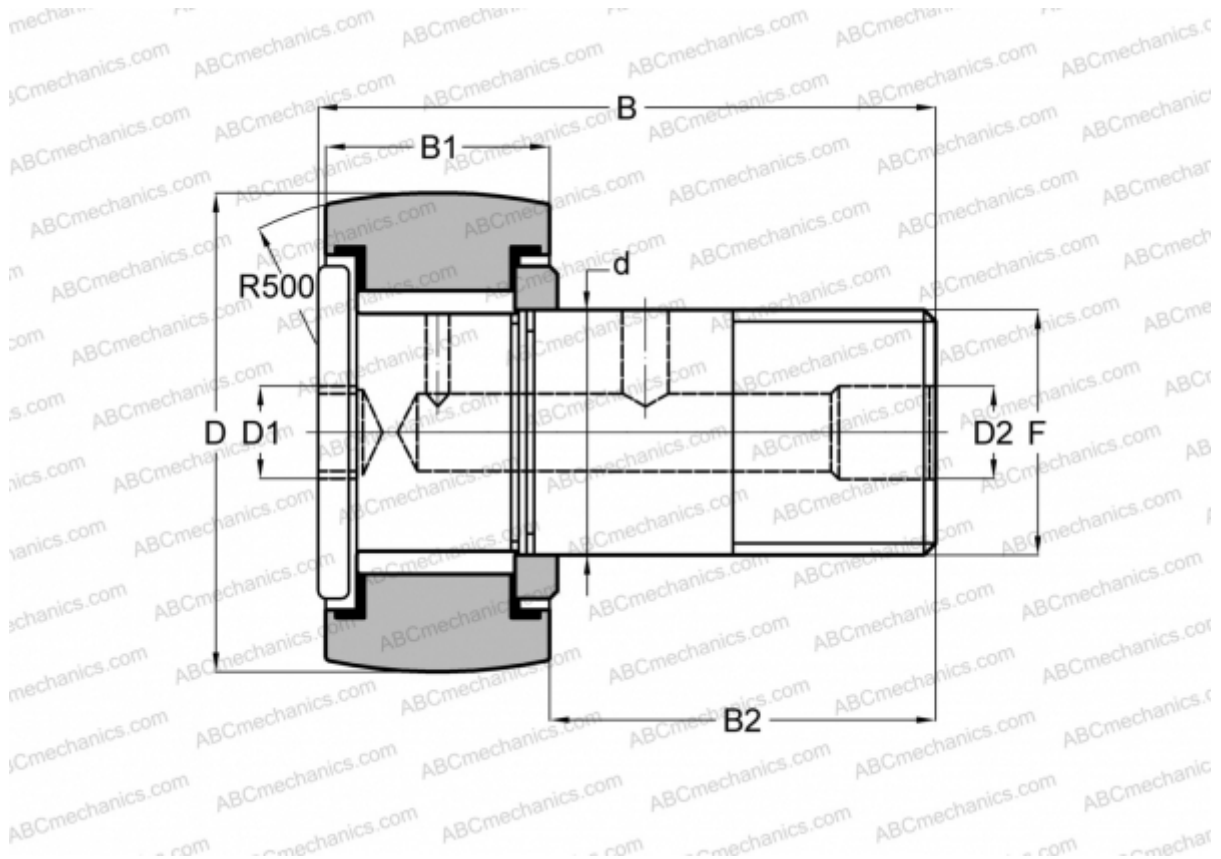


CRH 64 V(B)R IKO

Cam followers

TYPE: Roller bearings, Stud type track rollers, With axial guidance, full complement bearing, gap seal on both side, hex socket, heavy duty, inch size



Technical specification

DIMENSIONS, MM

d	50,800
D	101,600
B	148,340
B1	59,400
B2	88,940
F	2-12UN

WEIGHT, KG 4,960

MANUFACTURER [IKO](#)

INTERCHANGE

ABC	CRH 64 V(B)R
McGill	CFH 4 (B)

CALCULATION DATA

Basic dynamic load rating, C	142,000 kN
------------------------------	------------

CALCULATION DATA

Basic static load rating, Co	317,000 kN
------------------------------	------------