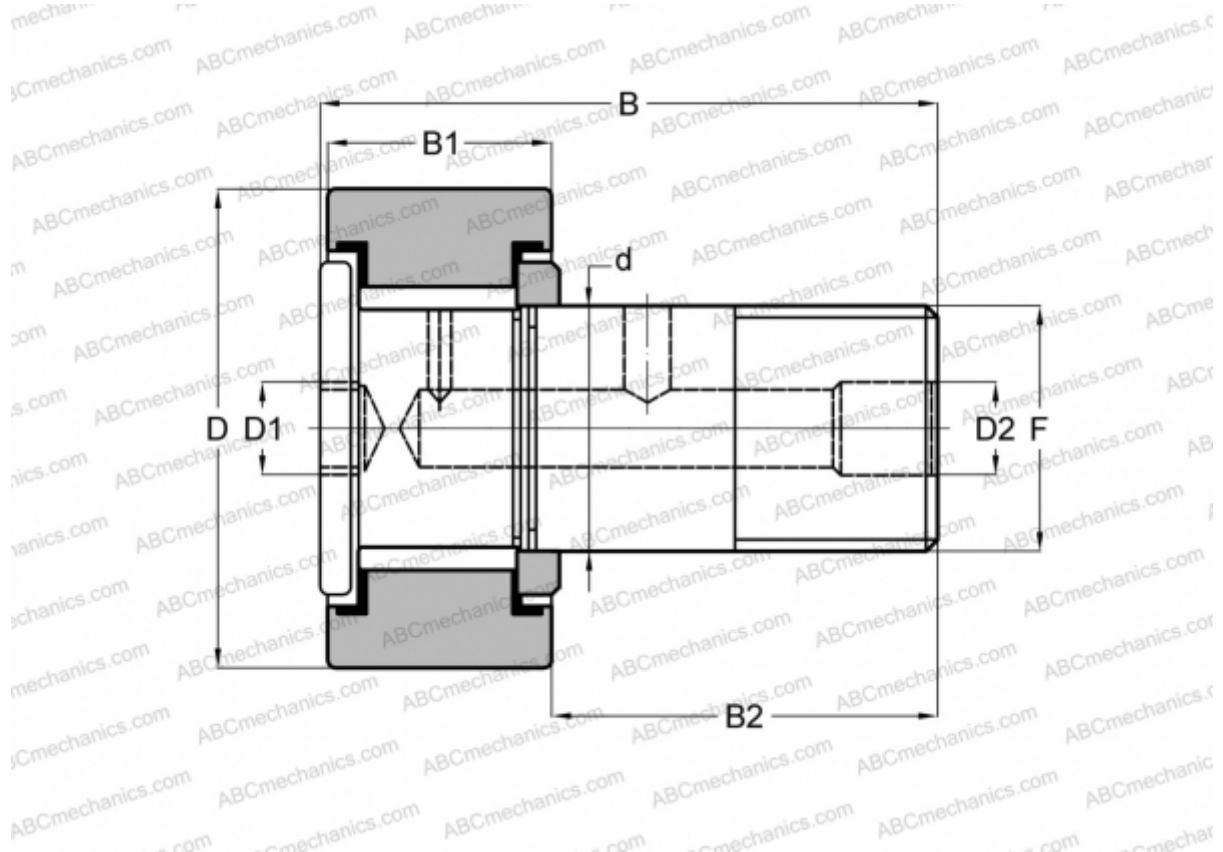


## CFH 5/8 (B) McGill

Cam followers

TYPE: Roller bearings, Stud type track rollers, With axial guidance, full complement bearing, gap seal on both side, cylindrical outer ring, hex socket, heavy duty, inch size



### Technical specification

#### DIMENSIONS, MM

d	7,938
D	15,875
B	31,750
B1	12,800
B2	18,950
F	5/16-24

**WEIGHT, KG** 0,023

**MANUFACTURER** [McGill](#)

#### INTERCHANGE

ABC	<a href="#">CRH 10-1 V(B)</a>
IKO	<a href="#">CRH 10-1 V(B)</a>