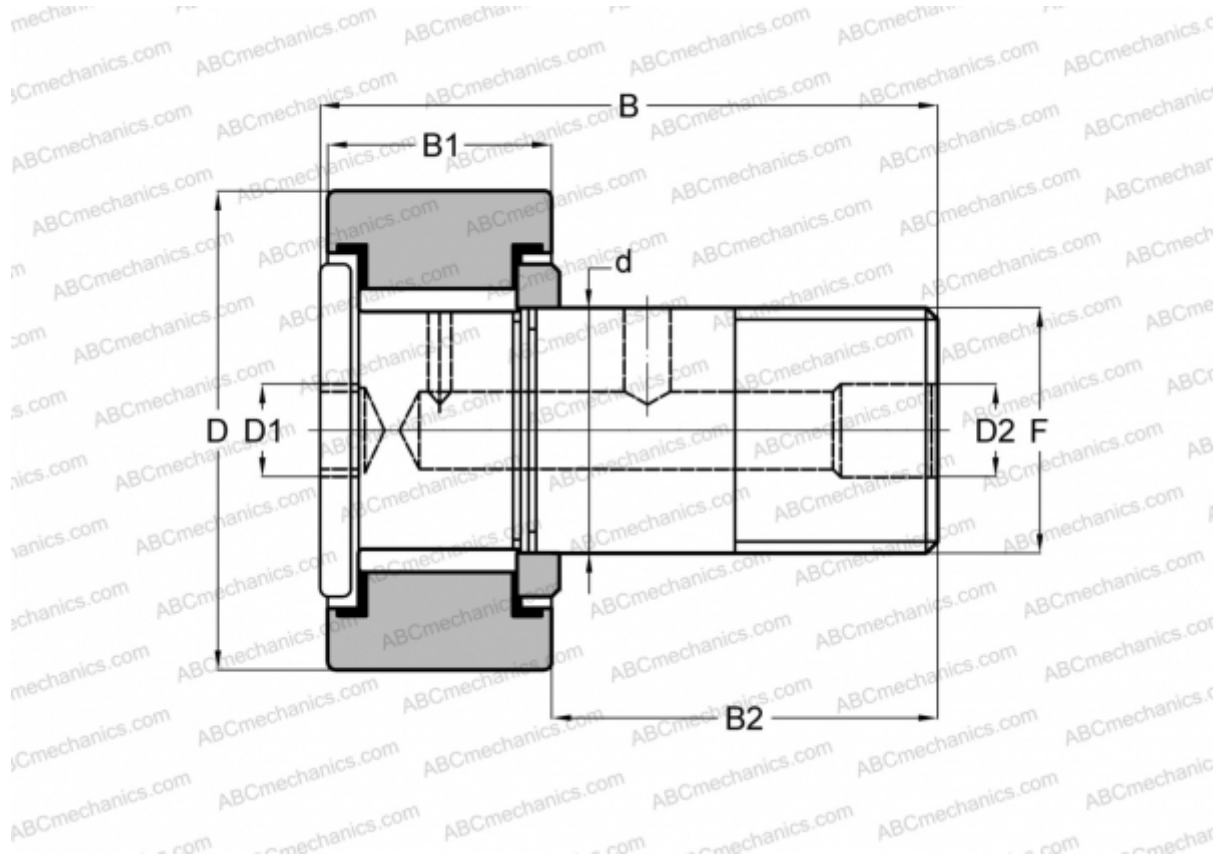


CRH 16 V(B) ABC

Cam followers

TYPE: Roller bearings, Stud type track rollers, With axial guidance, full complement bearing, gap seal on both side, cylindrical outer ring, hex socket, heavy duty, inch size



Technical specification

DIMENSIONS, MM

d	15,875
D	25,400
B	43,180
B1	17,900
B2	25,280
F	5/8-18

WEIGHT, KG 0,093

MANUFACTURER [ABC](#)

INTERCHANGE

IKO	CRH 16 V(B)
McGill	CFH 1 (B)