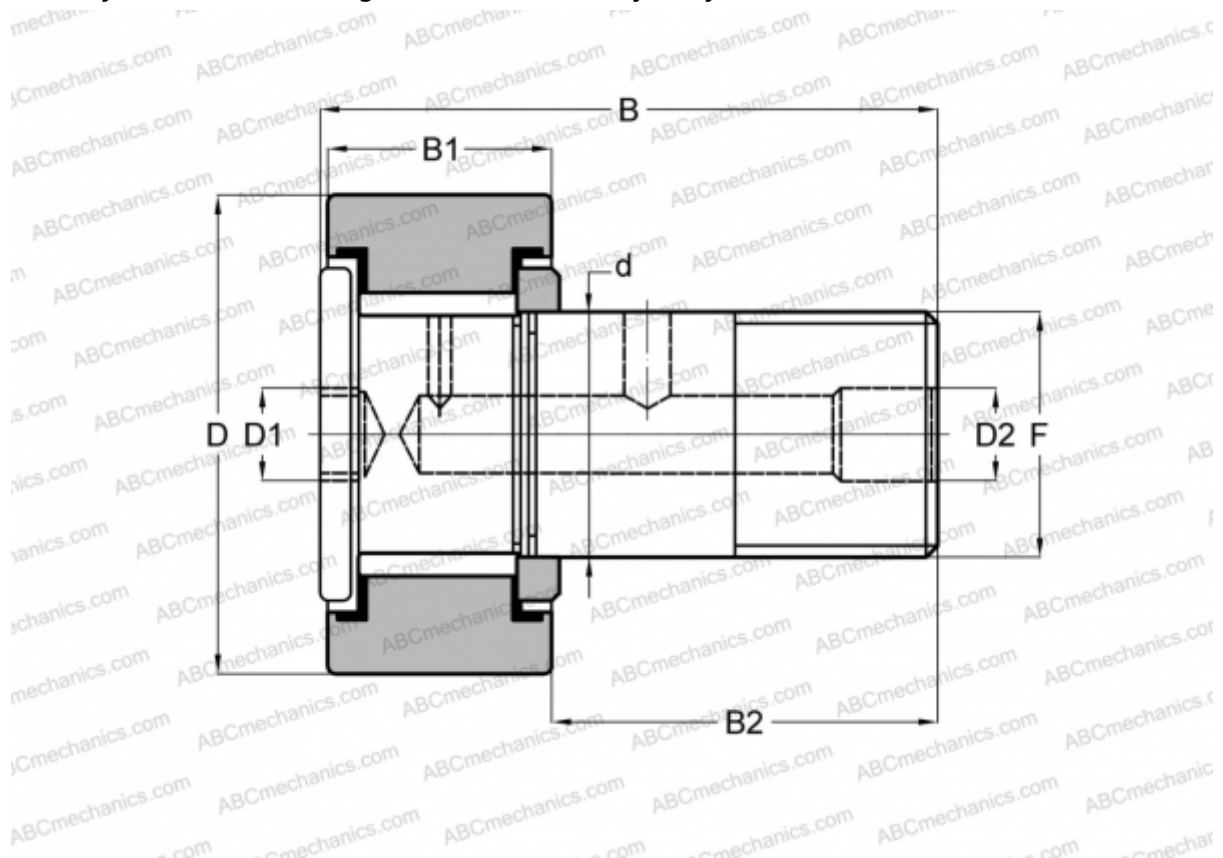


## CFH 1 (B) McGill

Cam followers

TYPE: Roller bearings, Stud type track rollers, With axial guidance, full complement bearing, gap seal on both side, cylindrical outer ring, hex socket, heavy duty, inch size



### Technical specification

#### DIMENSIONS, MM

d	15,875
D	25,400
B	43,180
B1	17,900
B2	25,280
F	5/8-18

**WEIGHT, KG** 0,093

**MANUFACTURER** [McGill](#)

#### INTERCHANGE

ABC	<a href="#">CRH 16 V(B)</a>
IKO	<a href="#">CRH 16 V(B)</a>