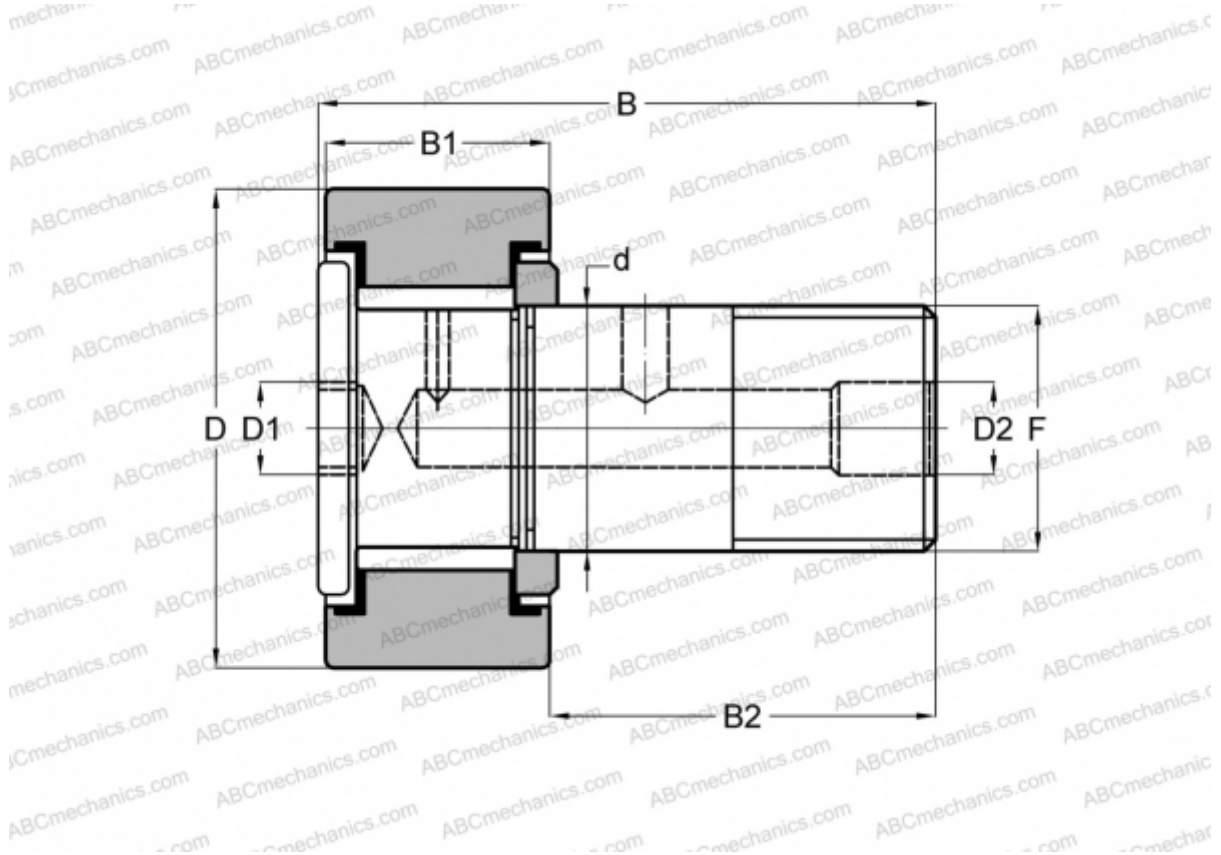


## CRH 18 V(B) IKO

Cam followers

TYPE: Roller bearings, Stud type track rollers, With axial guidance, full complement bearing, gap seal on both side, cylindrical outer ring, hex socket, heavy duty, inch size



### Technical specification

#### DIMENSIONS, MM

d	15,875
D	28,575
B	43,180
B1	17,900
B2	25,280
F	5/8-18

**WEIGHT, KG** 0,109

**MANUFACTURER** [IKO](#)

#### INTERCHANGE

ABC	<a href="#">CRH 18 V(B)</a>
McGill	<a href="#">CFH 1 1/8 (B)</a>

#### CALCULATION DATA

Basic dynamic load rating, C	13,100 kN
------------------------------	-----------

#### CALCULATION DATA

Basic static load rating, Co	22,700 kN
------------------------------	-----------