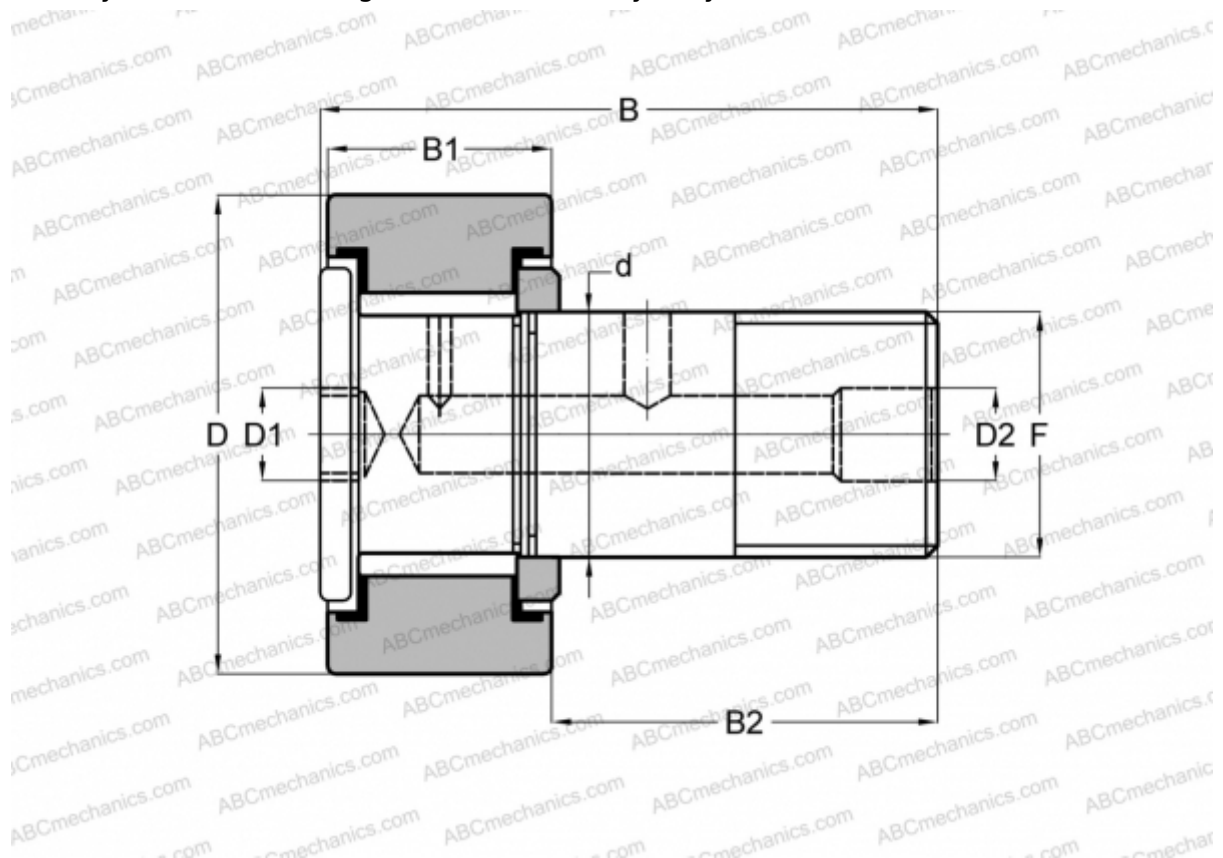


CRH 28 V(B) ABC

Cam followers

TYPE: Roller bearings, Stud type track rollers, With axial guidance, full complement bearing, gap seal on both side, cylindrical outer ring, hex socket, heavy duty, inch size



Technical specification

DIMENSIONS, MM

| | |
|----|---------|
| d | 25,400 |
| D | 44,450 |
| B | 71,880 |
| B1 | 27,400 |
| B2 | 44,480 |
| F | 1-14UNS |

WEIGHT, KG 0,463

MANUFACTURER [ABC](#)

INTERCHANGE

| | |
|--------|-------------------------------|
| IKO | CRH 28 V(B) |
| McGill | CFH 1 3/4 (B) |