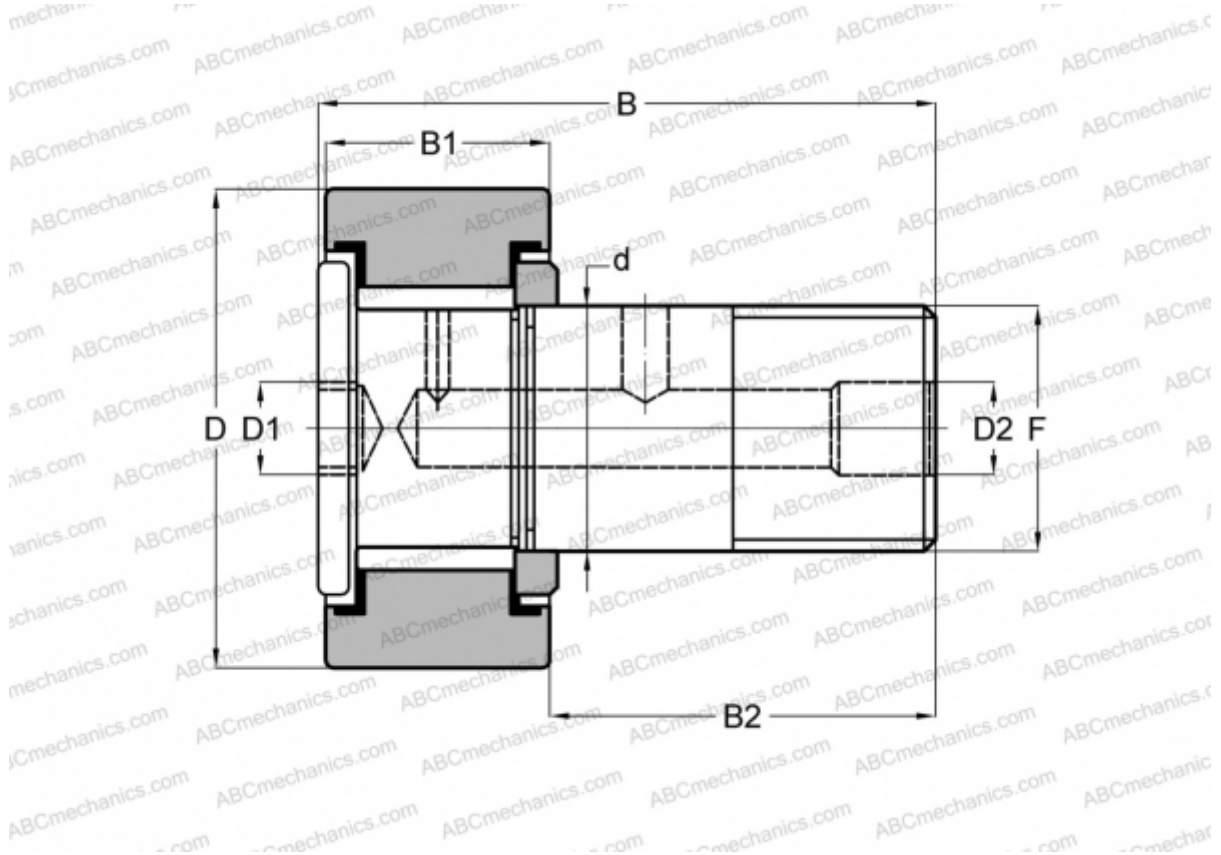


CRH 32 V(B) IKO

Cam followers

TYPE: Roller bearings, Stud type track rollers, With axial guidance, full complement bearing, gap seal on both side, cylindrical outer ring, hex socket, heavy duty, inch size



Technical specification

DIMENSIONS, MM

| | |
|----|----------|
| d | 28,575 |
| D | 50,800 |
| B | 85,090 |
| B1 | 34,200 |
| B2 | 50,890 |
| F | 1 1/8-12 |

WEIGHT, KG 0,722

MANUFACTURER [IKO](#)

INTERCHANGE

| | |
|--------|-----------------------------|
| ABC | CRH 32 V(B) |
| McGill | CFH 2 (B) |

CALCULATION DATA

| | |
|------------------------------|-----------|
| Basic dynamic load rating, C | 45,700 kN |
|------------------------------|-----------|

CALCULATION DATA

| | |
|------------------------------|-----------|
| Basic static load rating, Co | 80,600 kN |
|------------------------------|-----------|