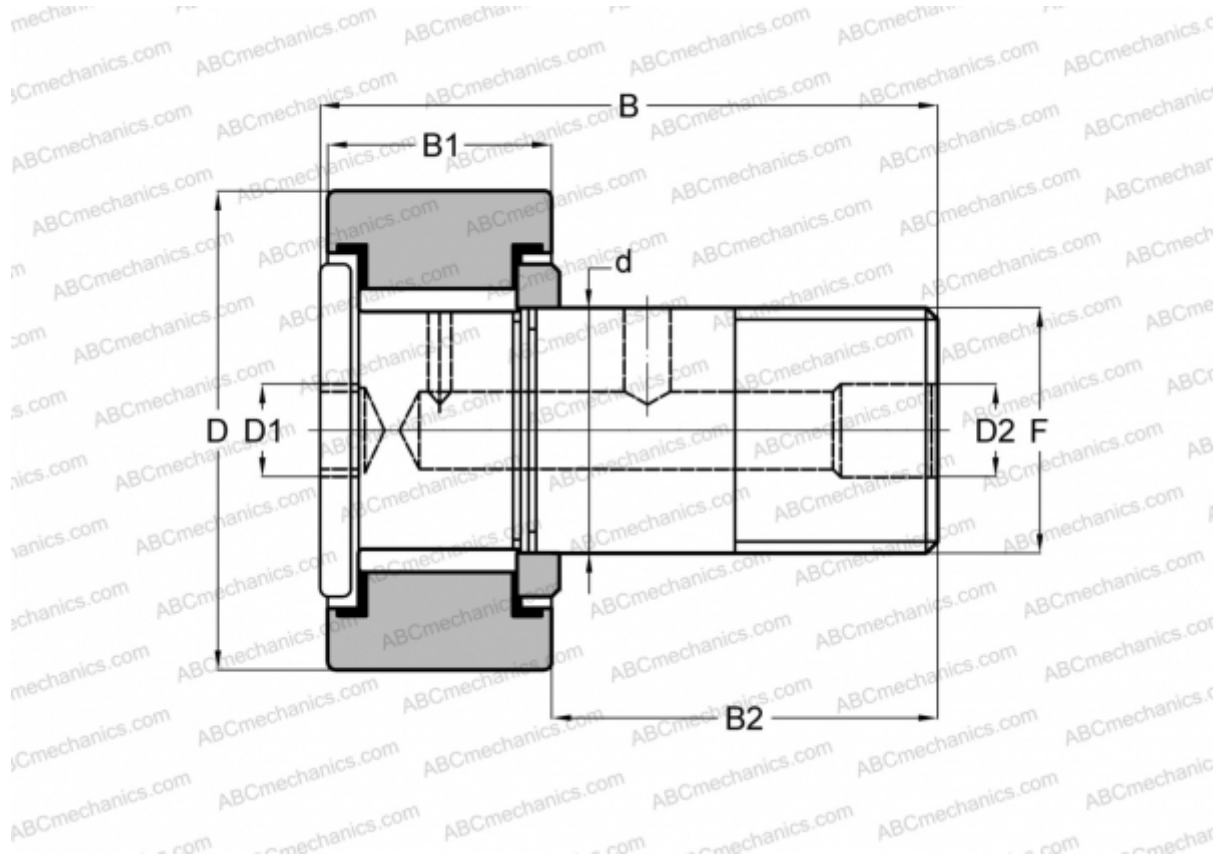


CRH 40 V(B) IKO

Cam followers

TYPE: Roller bearings, Stud type track rollers, With axial guidance, full complement bearing, gap seal on both side, cylindrical outer ring, hex socket, heavy duty, inch size



Technical specification

DIMENSIONS, MM

d	31,750
D	63,500
B	97,030
B1	40,000
B2	57,030
F	1 1/4-12

CALCULATION DATA

Basic static load rating, Co	116,000 kN
------------------------------	------------

WEIGHT, KG 1,260

MANUFACTURER [IKO](#)

INTERCHANGE

ABC	CRH 40 V(B)
McGill	CFH 2 1/2 (B)

CALCULATION DATA

Basic dynamic load rating, C	61,400 kN
------------------------------	-----------