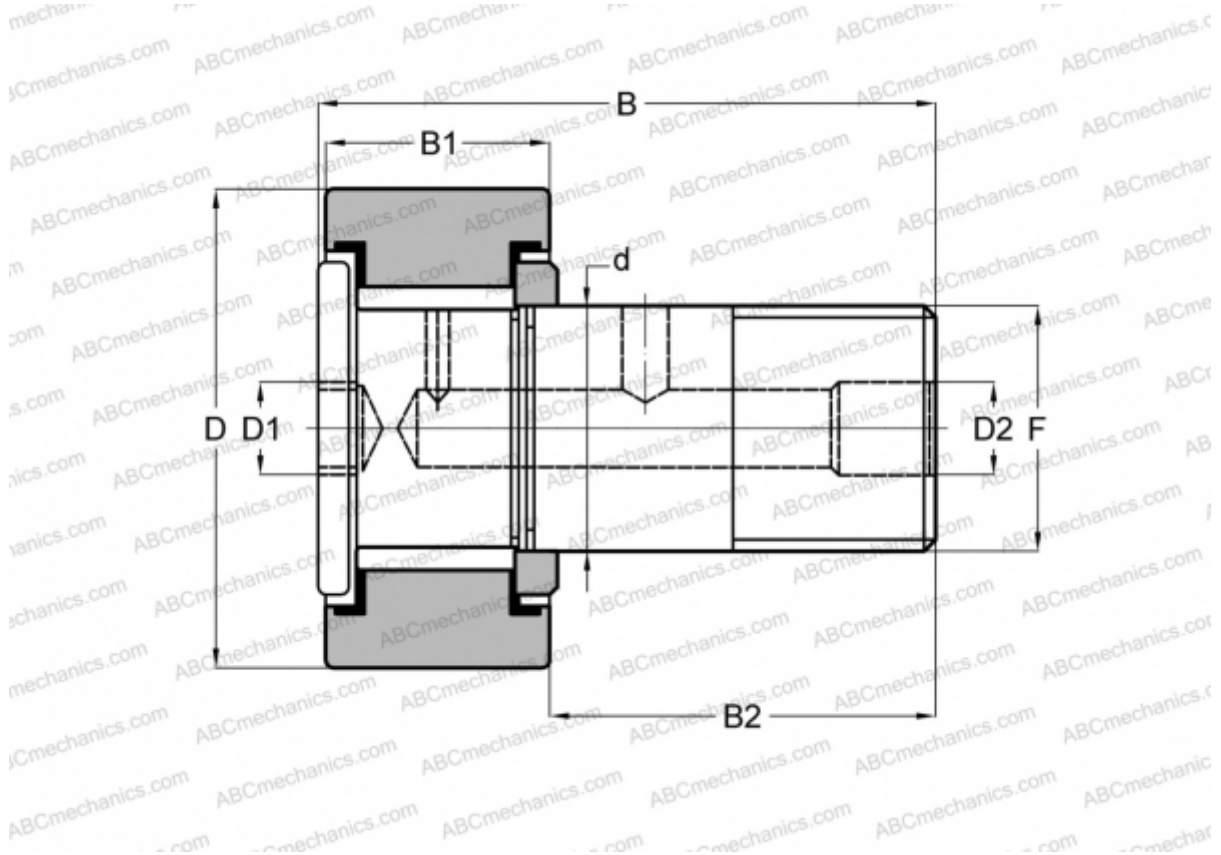


CRH 48 V(B) IKO

Cam followers

TYPE: Roller bearings, Stud type track rollers, With axial guidance, full complement bearing, gap seal on both side, cylindrical outer ring, hex socket, heavy duty, inch size



Technical specification

DIMENSIONS, MM

d	38,100
D	76,200
B	109,980
B1	46,400
B2	63,580
F	1 1/2-12

WEIGHT, KG 2,100

MANUFACTURER [IKO](#)

INTERCHANGE

ABC	CRH 48 V(B)
McGill	CFH 3 (B)

CALCULATION DATA

Basic dynamic load rating, C	77,600 kN
------------------------------	-----------

CALCULATION DATA

Basic static load rating, Co	172,000 kN
------------------------------	------------