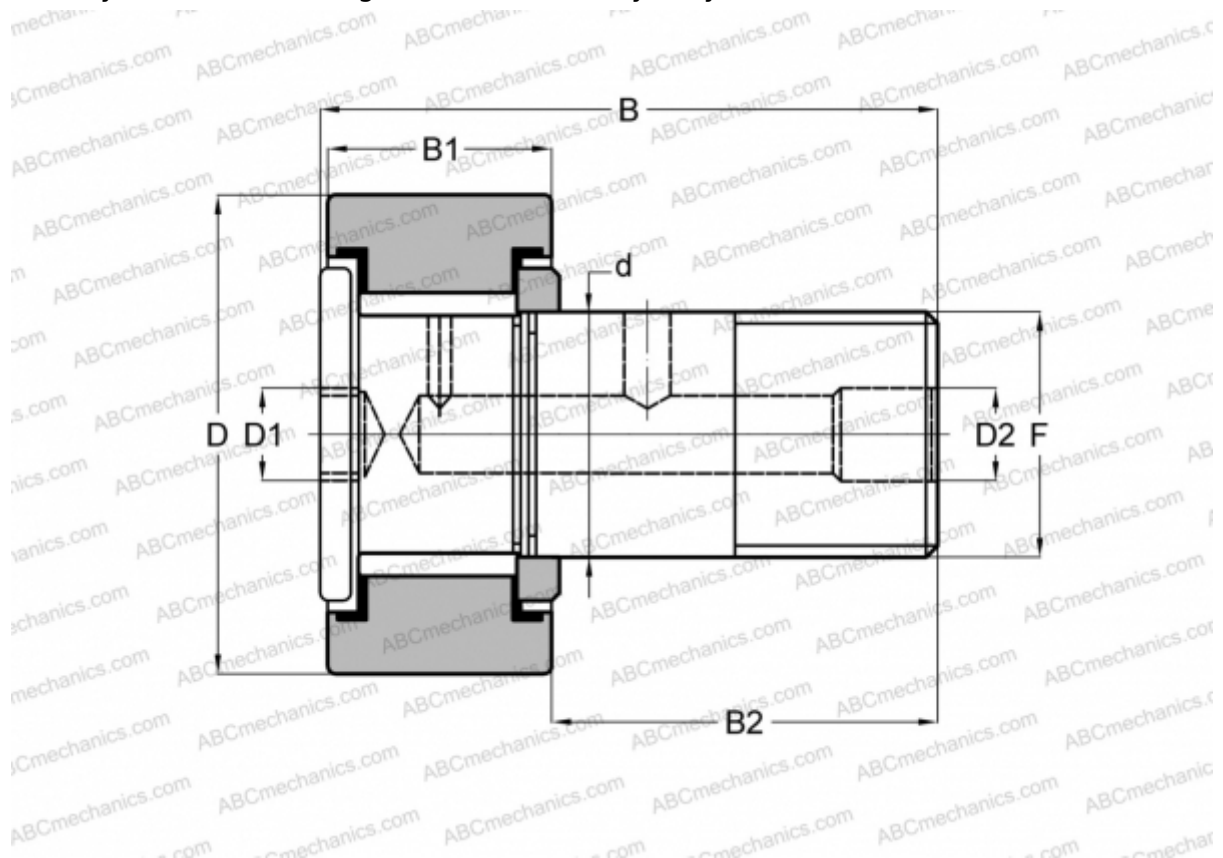


CFH 3 1/2 (B) McGill

Cam followers

TYPE: Roller bearings, Stud type track rollers, With axial guidance, full complement bearing, gap seal on both side, cylindrical outer ring, hex socket, heavy duty, inch size



Technical specification

DIMENSIONS, MM

d	44,450
D	88,900
B	122,680
B1	52,800
B2	69,880
F	1C-12UN

WEIGHT, KG 3,240

MANUFACTURER [McGill](#)

INTERCHANGE

ABC	CRH 56 V(B)
IKO	CRH 56 V(B)