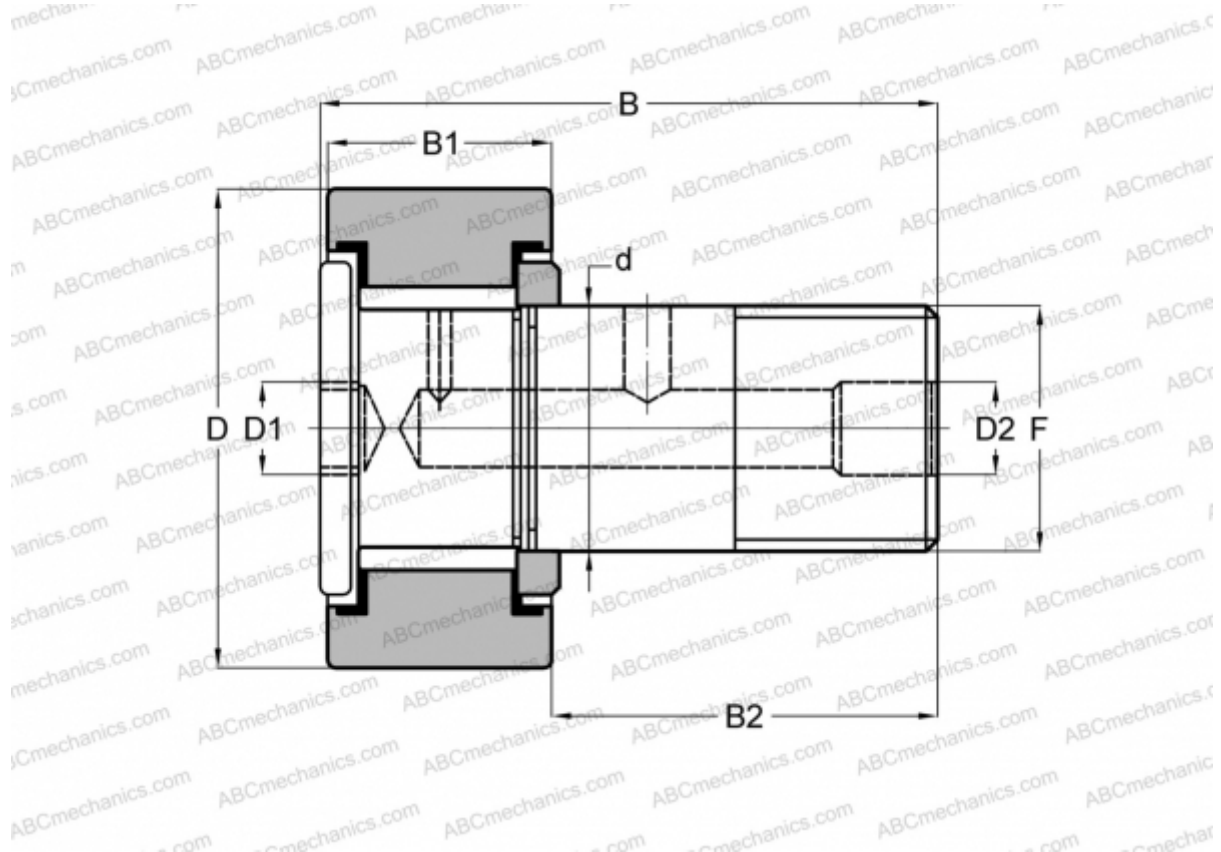


## CFH 4 (B) McGill

Cam followers

TYPE: Roller bearings, Stud type track rollers, With axial guidance, full complement bearing, gap seal on both side, cylindrical outer ring, hex socket, heavy duty, inch size



### Technical specification

#### DIMENSIONS, MM

d	50,800
D	101,600
B	148,340
B1	59,400
B2	88,940
F	2-12UN

**WEIGHT, KG** 4,960

**MANUFACTURER** [McGill](#)

#### INTERCHANGE

ABC	<a href="#">CRH 64 V(B)</a>
IKO	<a href="#">CRH 64 V(B)</a>