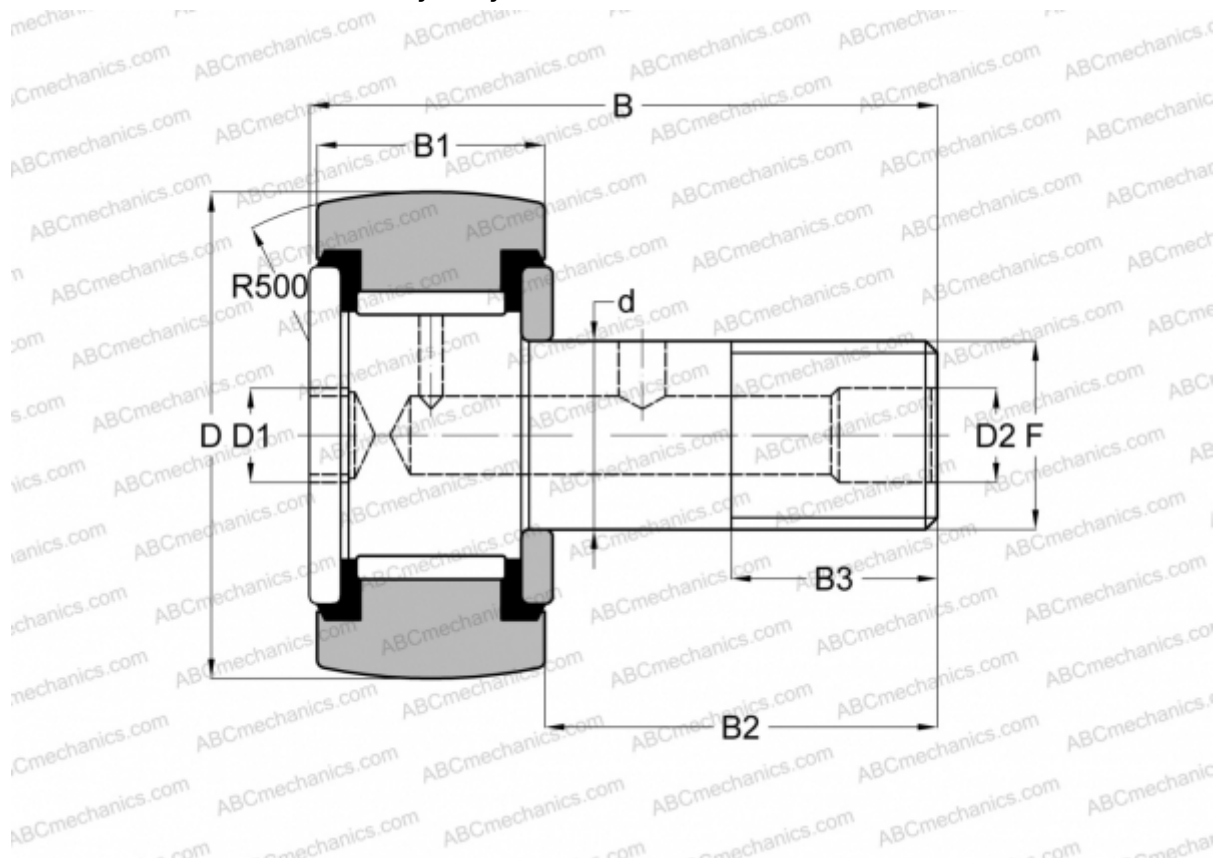


CRH 11 V(B)UUR ABC

Cam followers

TYPE: Roller bearings, Stud type track rollers, With axial guidance, full complement bearing, sealing rings on both sides, hex socket, heavy duty, inch size



Technical specification

DIMENSIONS, MM

d	7,938
D	17,462
B	31,750
B1	12,800
B2	18,950
F	5/16-24

WEIGHT, KG 0,027

MANUFACTURER [ABC](#)

INTERCHANGE

IKO	CRH 11 V(B)UUR
McGill	CCFH 11/16 S(B)