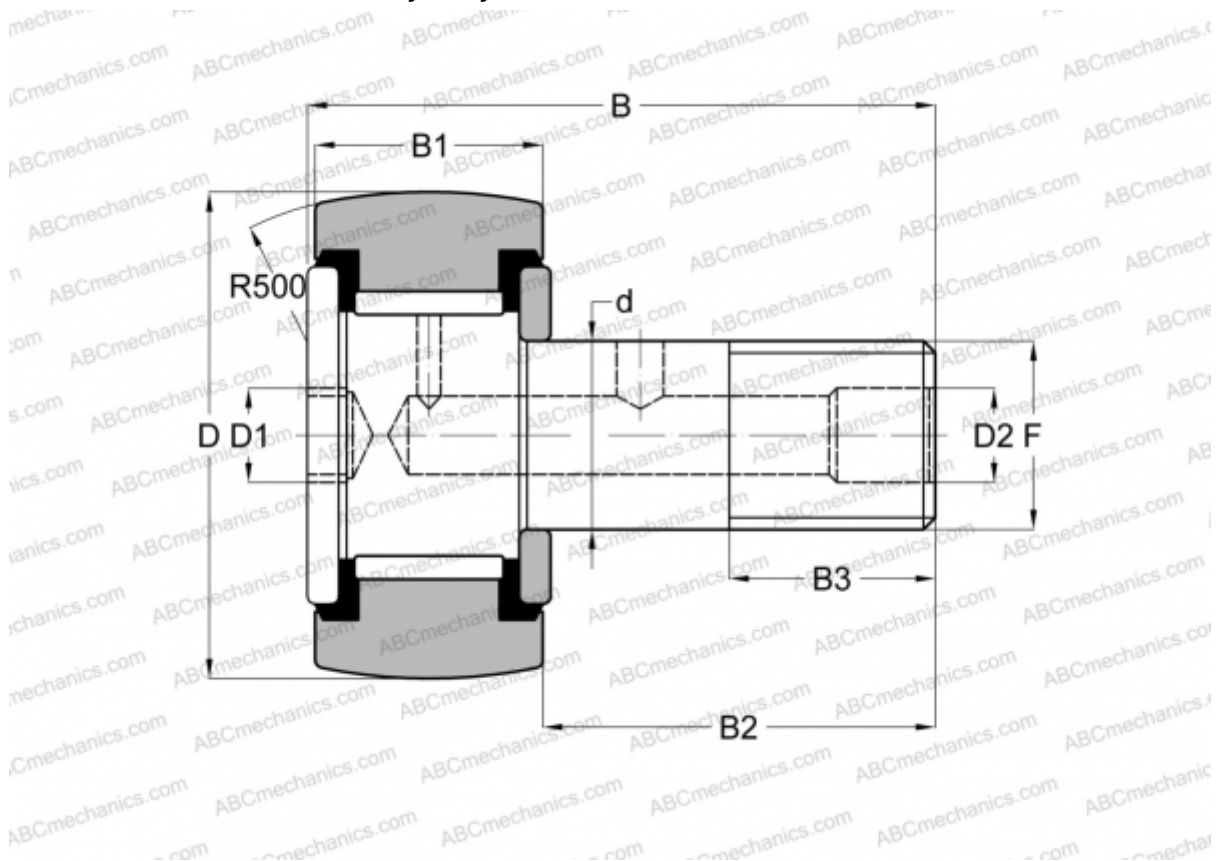


## CRH 11 V(B)UUR IKO

Cam followers

TYPE: Roller bearings, Stud type track rollers, With axial guidance, full complement bearing, sealing rings on both sides, hex socket, heavy duty, inch size



### Technical specification

#### DIMENSIONS, MM

d	7,938
D	17,462
B	31,750
B1	12,800
B2	18,950
F	5/16-24

**WEIGHT, KG** 0,027

**MANUFACTURER** [IKO](#)

#### INTERCHANGE

ABC	<a href="#">CRH 11 V(B)UUR</a>
McGill	<a href="#">CCFH 11/16 S(B)</a>

#### CALCULATION DATA

Basic dynamic load rating, C	6,340 kN
------------------------------	----------

#### CALCULATION DATA

Basic static load rating, Co	8,530 kN
------------------------------	----------