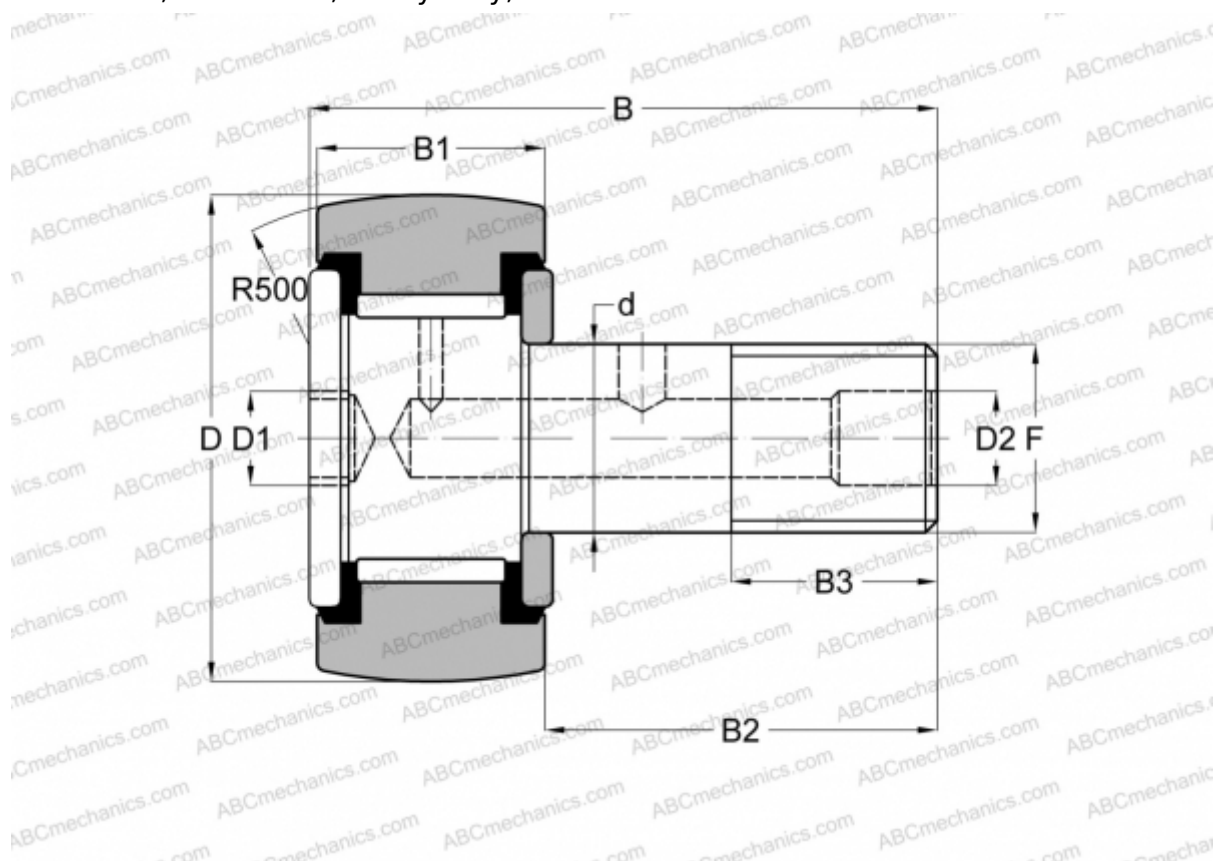


## CCFH 1 1/8 S(B) McGill

Cam followers

TYPE: Roller bearings, Stud type track rollers, With axial guidance, full complement bearing, sealing rings on both sides, hex socket, heavy duty, inch size



### Technical specification

#### DIMENSIONS, MM

d	15,875
D	28,575
B	43,180
B1	17,900
B2	25,280
F	5/8-18

**WEIGHT, KG** 0,109

**MANUFACTURER** [McGill](#)

#### INTERCHANGE

ABC	<a href="#">CRH 18 V(B)UUR</a>
IKO	<a href="#">CRH 18 V(B)UUR</a>