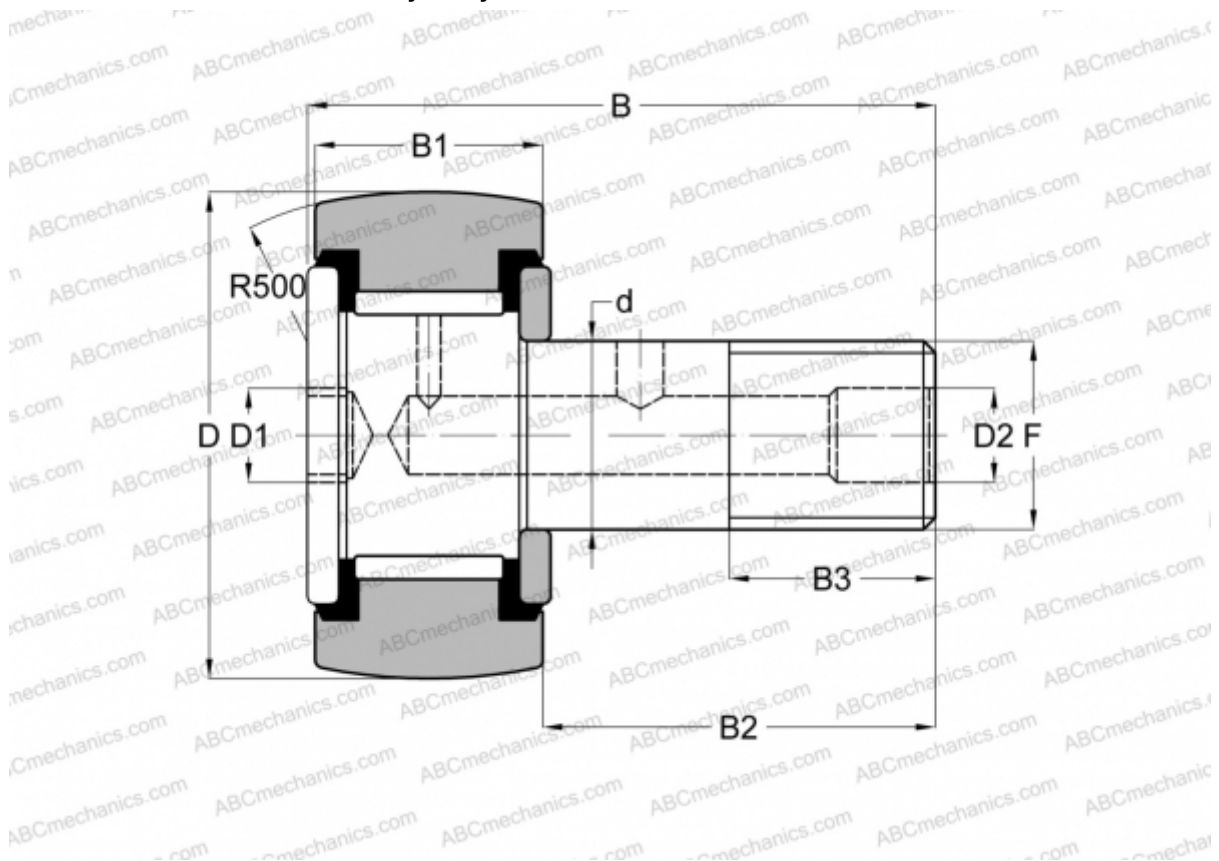


CRH 20 V(B)UUR IKO

Cam followers

TYPE: Roller bearings, Stud type track rollers, With axial guidance, full complement bearing, sealing rings on both sides, hex socket, heavy duty, inch size



Technical specification

DIMENSIONS, MM

d	19,050
D	31,750
B	49,660
B1	21,000
B2	28,660
F	3/4-16

WEIGHT, KG 0,176

MANUFACTURER [IKO](#)

INTERCHANGE

ABC	CRH 20 V(B)UUR
McGill	CCFH 1 1/4 S(B)

CALCULATION DATA

Basic dynamic load rating, C	23,600 kN
------------------------------	-----------

CALCULATION DATA

Basic static load rating, Co	31,700 kN
------------------------------	-----------