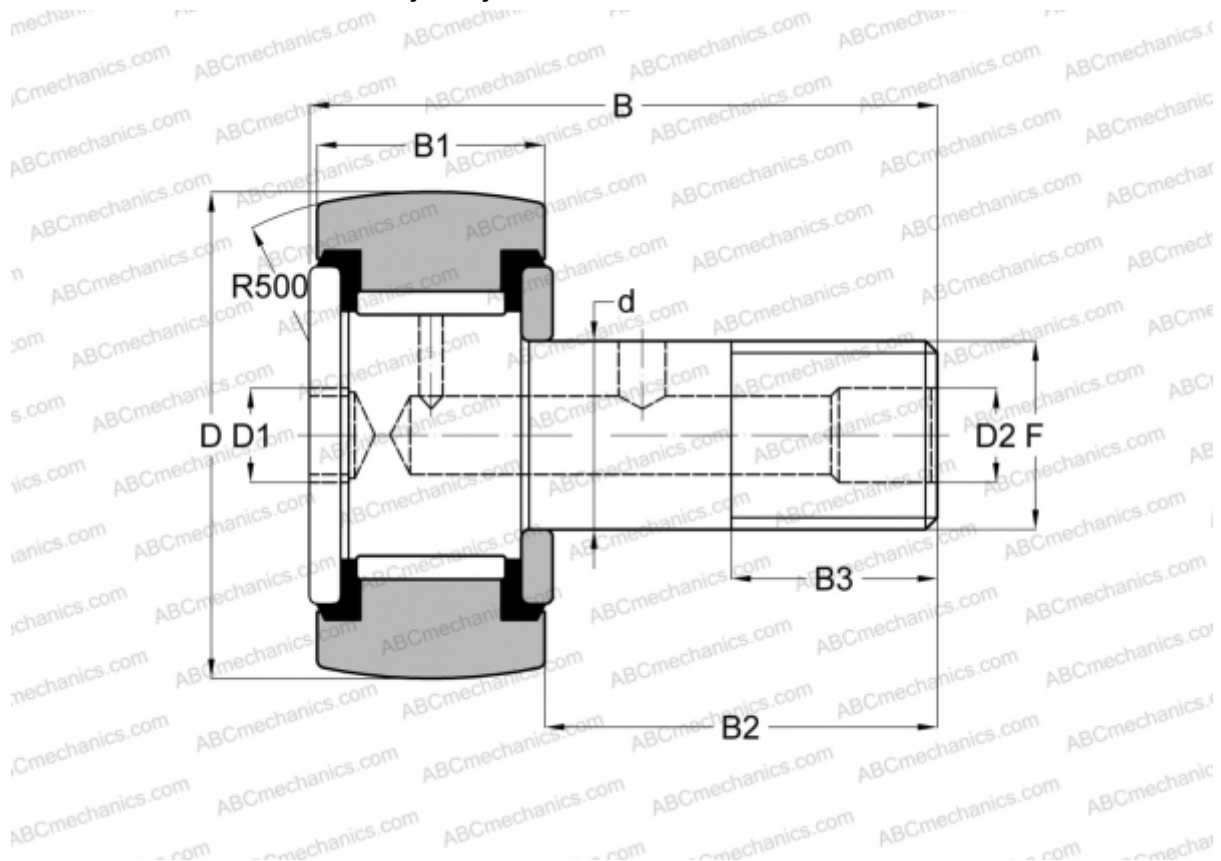


## CRH 24 V(B)UUR IKO

Cam followers

TYPE: Roller bearings, Stud type track rollers, With axial guidance, full complement bearing, sealing rings on both sides, hex socket, heavy duty, inch size



### Technical specification

#### DIMENSIONS, MM

d	22,225
D	38,100
B	62,480
B1	24,300
B2	38,180
F	7/8-14

**WEIGHT, KG** 0,296

**MANUFACTURER** [IKO](#)

#### INTERCHANGE

ABC	<a href="#">CRH 24 V(B)UUR</a>
McGill	<a href="#">CCFH 1 1/2 S(B)</a>

#### CALCULATION DATA

Basic dynamic load rating, C	28,200 kN
------------------------------	-----------

#### CALCULATION DATA

Basic static load rating, Co	40,100 kN
------------------------------	-----------