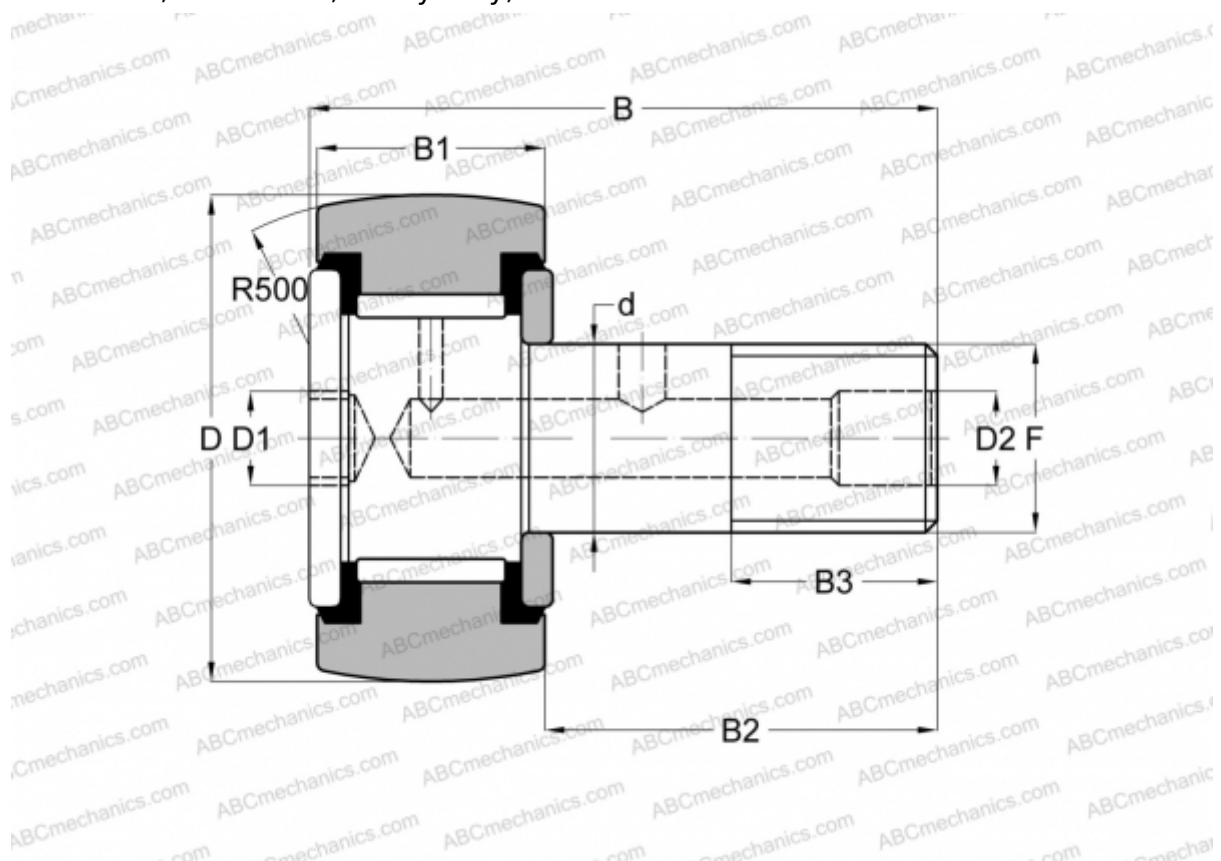


## CCFH 1 7/8 S(B) McGill

Cam followers

TYPE: Roller bearings, Stud type track rollers, With axial guidance, full complement bearing, sealing rings on both sides, hex socket, heavy duty, inch size



### Technical specification

#### DIMENSIONS, MM

d	25,400
D	47,625
B	71,880
B1	27,400
B2	44,480
F	1-14UNS

**WEIGHT, KG** 0,508

**MANUFACTURER** [McGill](#)

#### INTERCHANGE

ABC	<a href="#">CRH 30 V(B)UUR</a>
IKO	<a href="#">CRH 30 V(B)UUR</a>