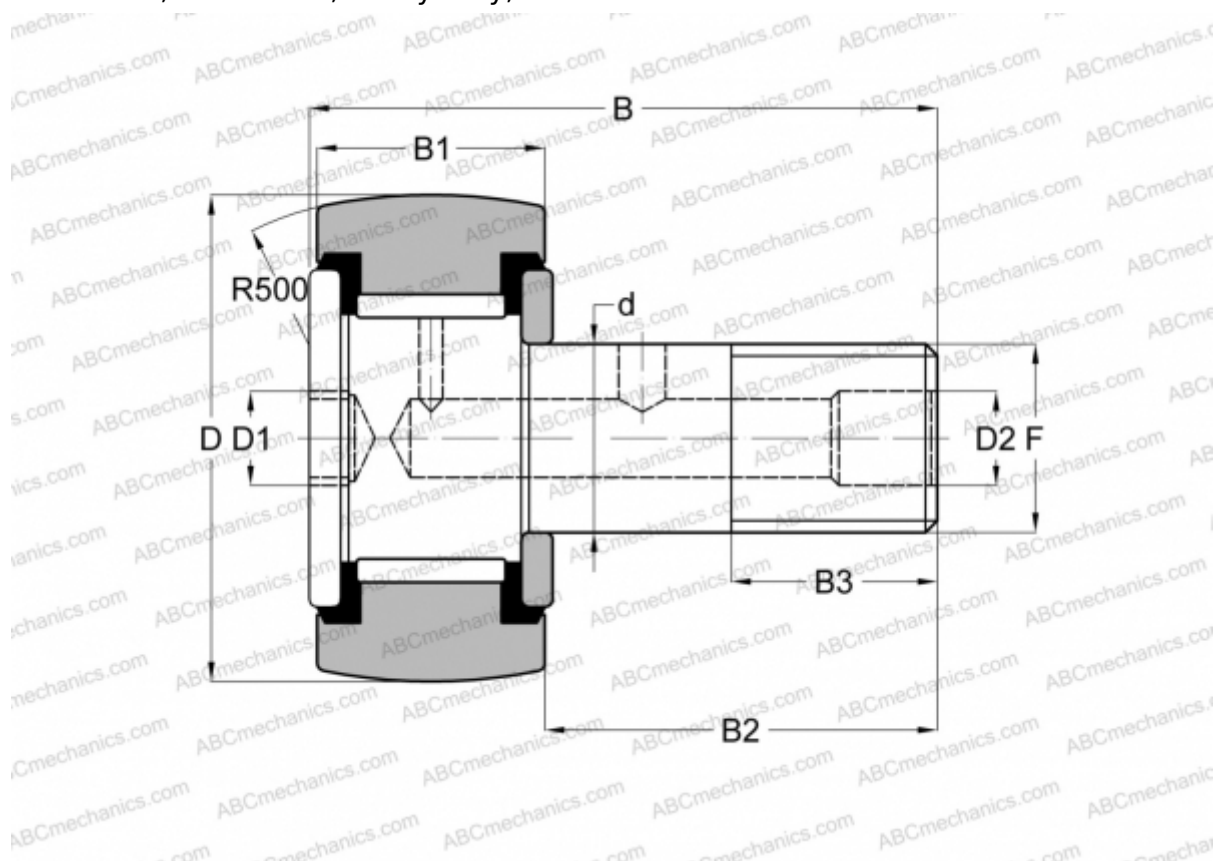


## CCFH 2 S(B) McGill

Cam followers

TYPE: Roller bearings, Stud type track rollers, With axial guidance, full complement bearing, sealing rings on both sides, hex socket, heavy duty, inch size



### Technical specification

#### DIMENSIONS, MM

d	28,575
D	50,800
B	85,090
B1	34,200
B2	50,890
F	1 1/8-12

**WEIGHT, KG** 0,722

**MANUFACTURER** [McGill](#)

#### INTERCHANGE

ABC	<a href="#">CRH 32 V(B)UUR</a>
IKO	<a href="#">CRH 32 V(B)UUR</a>