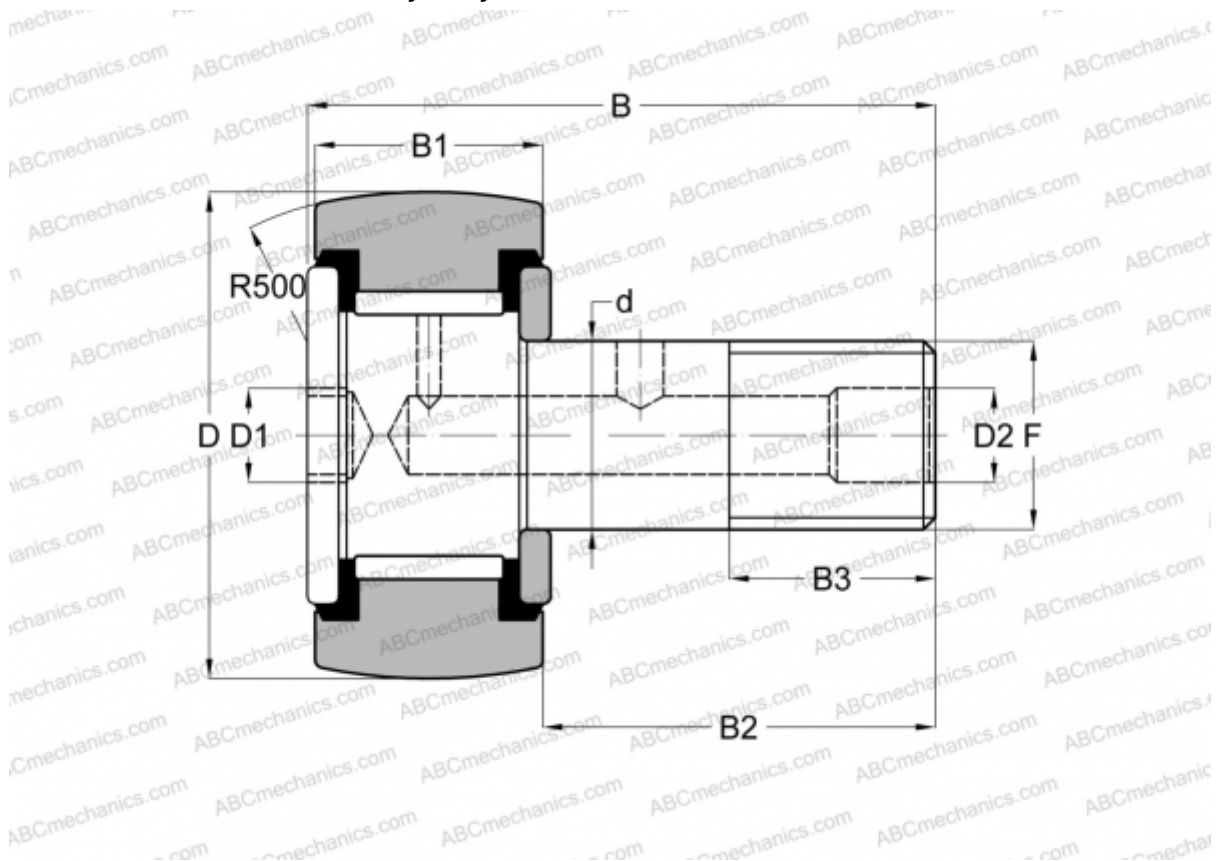


## CRH 36 V(B)UUR IKO

Cam followers

TYPE: Roller bearings, Stud type track rollers, With axial guidance, full complement bearing, sealing rings on both sides, hex socket, heavy duty, inch size



### Technical specification

#### DIMENSIONS, MM

d	28,575
D	57,150
B	85,090
B1	34,200
B2	50,890
F	1 1/8-12

**WEIGHT, KG** 0,858

**MANUFACTURER** [IKO](#)

#### INTERCHANGE

ABC	<a href="#">CRH 36 V(B)UUR</a>
McGill	<a href="#">CCFH 2 1/4 S(B)</a>

#### CALCULATION DATA

Basic dynamic load rating, C	45,700 kN
------------------------------	-----------

#### CALCULATION DATA

Basic static load rating, Co	80,600 kN
------------------------------	-----------