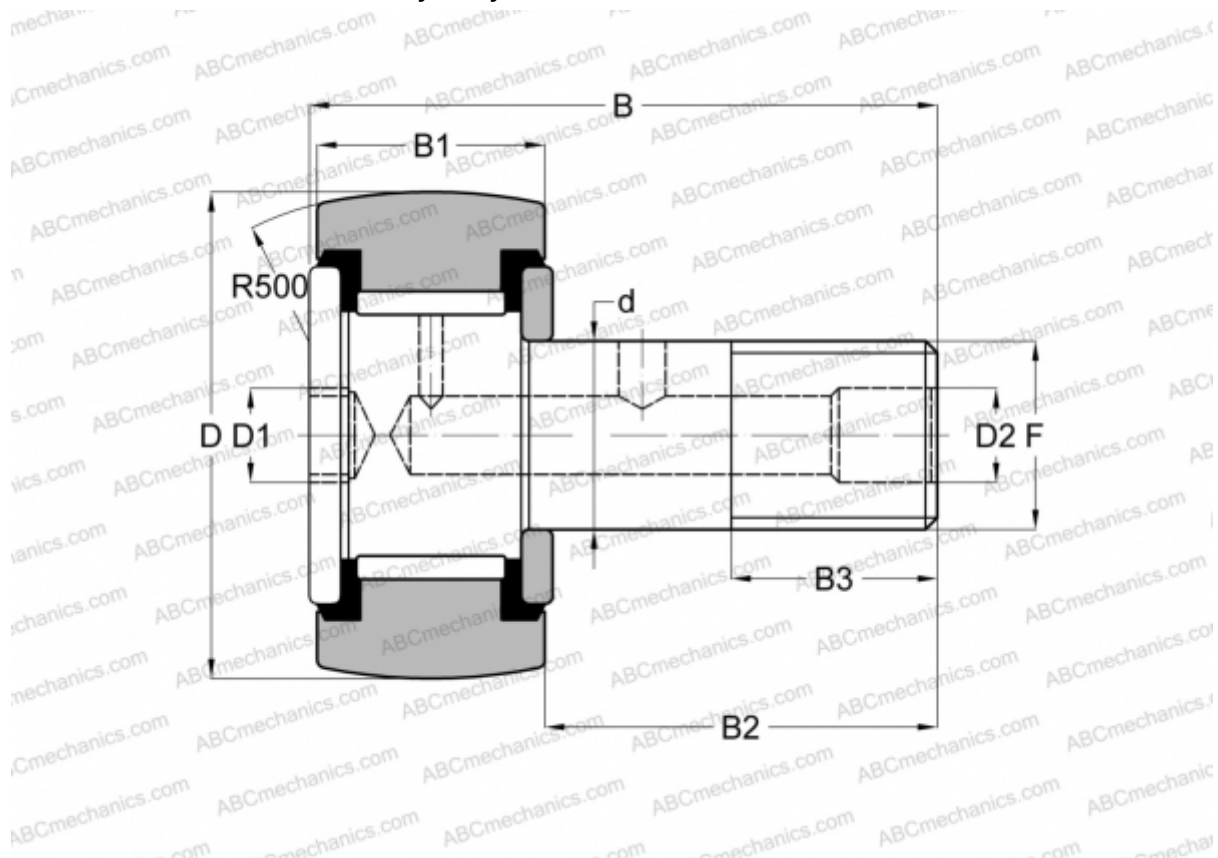


## CCFH 2 1/2 S(B) McGill

Cam followers

TYPE: Roller bearings, Stud type track rollers, With axial guidance, full complement bearing, sealing rings on both sides, hex socket, heavy duty, inch size



### Technical specification

#### DIMENSIONS, MM

d	31,750
D	63,500
B	97,030
B1	40,000
B2	57,030
F	1 1/4-12

**WEIGHT, KG** 1,260

**MANUFACTURER** [McGill](#)

#### INTERCHANGE

ABC	<a href="#">CRH 40 V(B)UUR</a>
IKO	<a href="#">CRH 40 V(B)UUR</a>