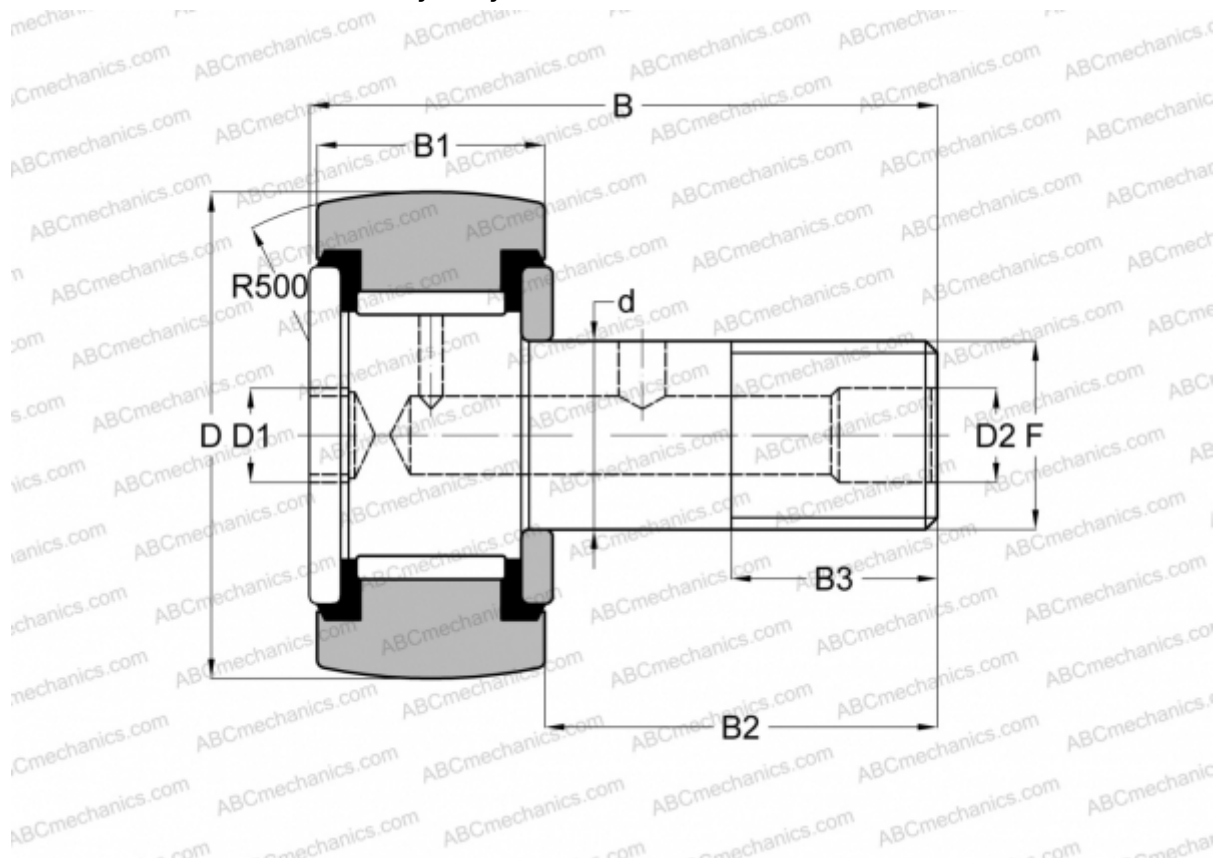


CRH 48 V(B)UUR ABC

Cam followers

TYPE: Roller bearings, Stud type track rollers, With axial guidance, full complement bearing, sealing rings on both sides, hex socket, heavy duty, inch size



Technical specification

DIMENSIONS, MM

| | |
|----|----------|
| d | 38,100 |
| D | 76,200 |
| B | 109,980 |
| B1 | 46,400 |
| B2 | 63,580 |
| F | 1 1/2-12 |

WEIGHT, KG 2,100

MANUFACTURER [ABC](#)

INTERCHANGE

| | |
|--------|--------------------------------|
| IKO | CRH 48 V(B)UUR |
| McGill | CCFH 3 S(B) |