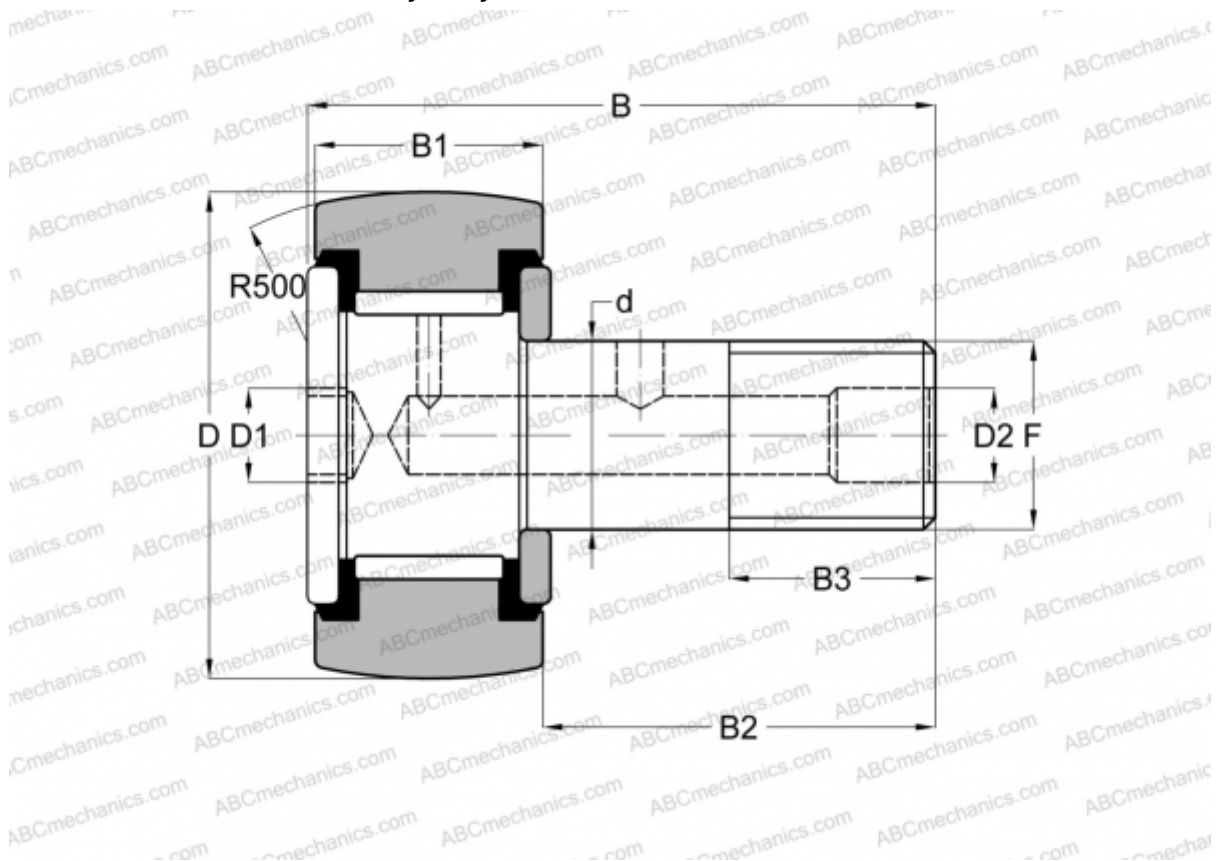


## CRH 52 V(B)UUR IKO

Cam followers

TYPE: Roller bearings, Stud type track rollers, With axial guidance, full complement bearing, sealing rings on both sides, hex socket, heavy duty, inch size



### Technical specification

#### DIMENSIONS, MM

d	38,100
D	82,550
B	109,980
B1	46,400
B2	63,580
F	1 1/2-12

**WEIGHT, KG** 2,380

**MANUFACTURER** [IKO](#)

#### INTERCHANGE

ABC	<a href="#">CRH 52 V(B)UUR</a>
McGill	<a href="#">CCFH 3 1/4 S(B)</a>

#### CALCULATION DATA

Basic dynamic load rating, C	77,600 kN
------------------------------	-----------

#### CALCULATION DATA

Basic static load rating, Co	172,000 kN
------------------------------	------------