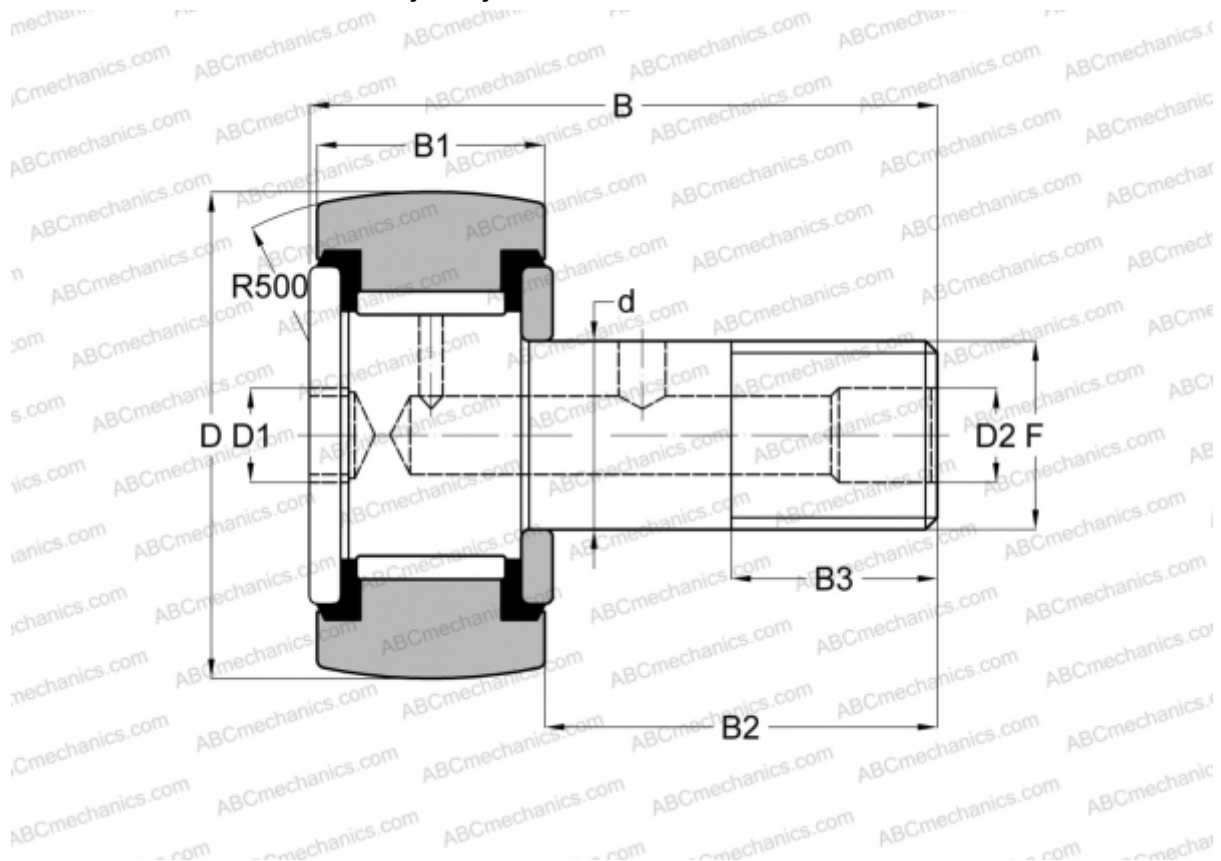


## CRH 56 V(B)UUR IKO

Cam followers

TYPE: Roller bearings, Stud type track rollers, With axial guidance, full complement bearing, sealing rings on both sides, hex socket, heavy duty, inch size



### Technical specification

#### DIMENSIONS, MM

d	44,450
D	88,900
B	122,680
B1	52,800
B2	69,880
F	1C-12UN

**WEIGHT, KG** 3,240

**MANUFACTURER** [IKO](#)

#### INTERCHANGE

ABC	<a href="#">CRH 56 V(B)UUR</a>
McGill	<a href="#">CCFH 3 1/2 S(B)</a>

#### CALCULATION DATA

Basic dynamic load rating, C	111,000 kN
------------------------------	------------

#### CALCULATION DATA

Basic static load rating, Co	239,000 kN
------------------------------	------------