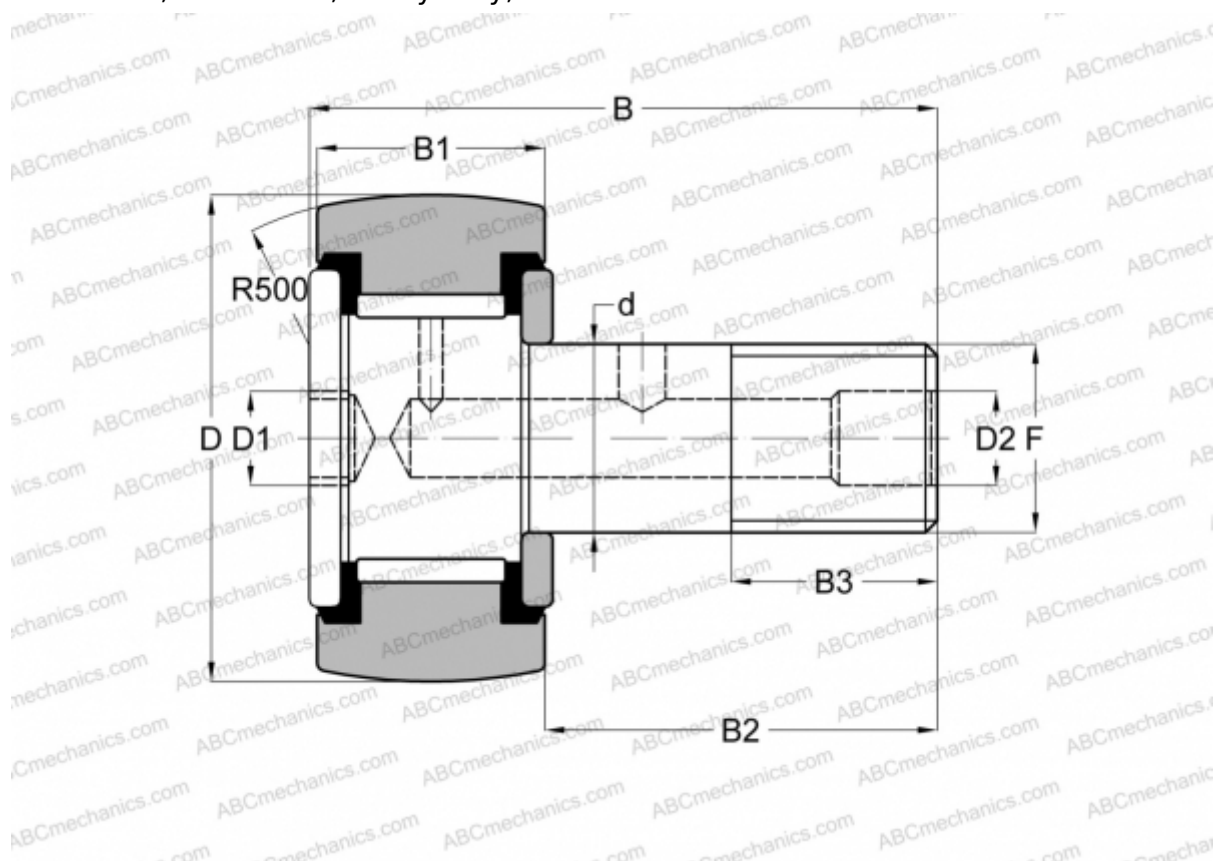


CRH 64 V(B)UUR ABC

Cam followers

TYPE: Roller bearings, Stud type track rollers, With axial guidance, full complement bearing, sealing rings on both sides, hex socket, heavy duty, inch size



Technical specification

DIMENSIONS, MM

d	50,800
D	101,600
B	148,340
B1	59,400
B2	88,940
F	2-12UN

WEIGHT, KG 4,960

MANUFACTURER [ABC](#)

INTERCHANGE

IKO	CRH 64 V(B)UUR
McGill	CCFH 4 S(B)