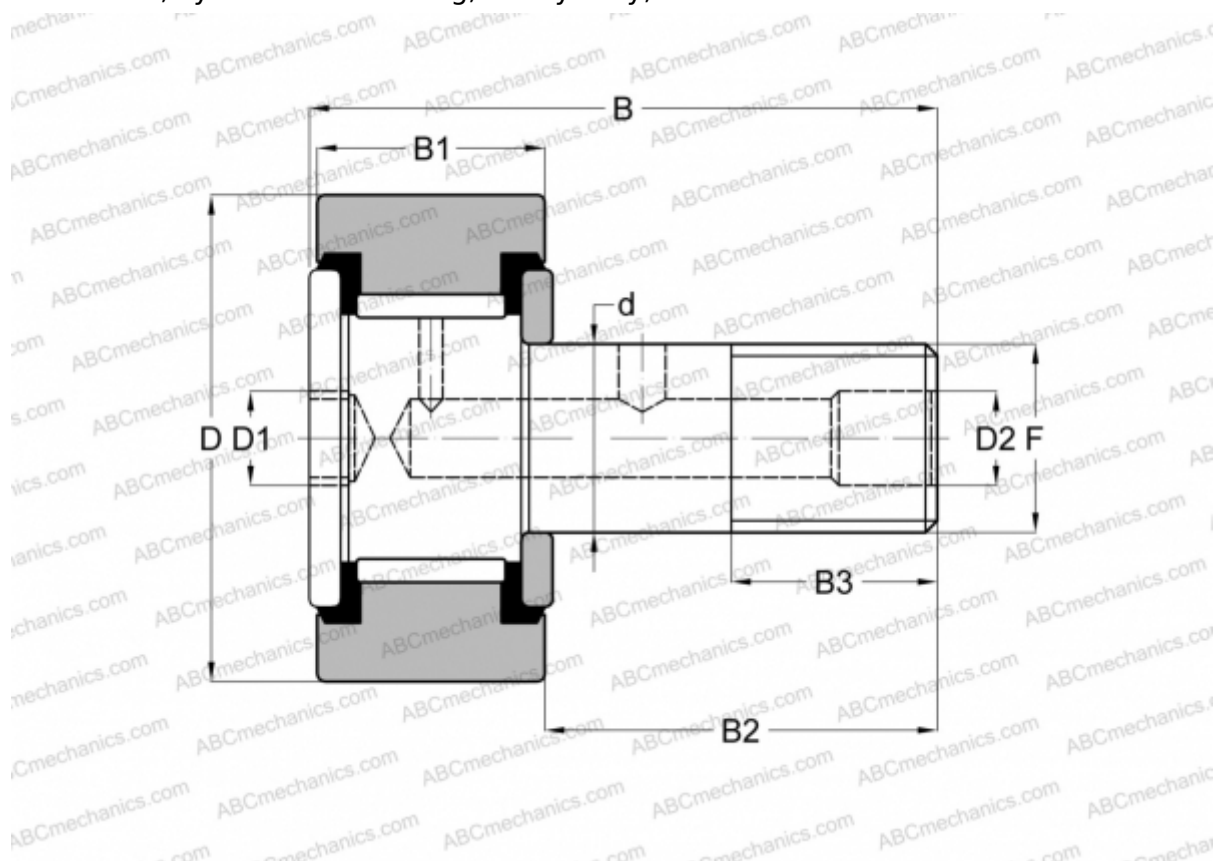


CRH 10-1 V(B)UU ABC

Cam followers

TYPE: Roller bearings, Stud type track rollers, With axial guidance, full complement bearing, sealing rings on both sides, cylindrical outer ring, heavy duty, inch size



Technical specification

DIMENSIONS, MM

d	7,938
D	15,875
B	31,750
B1	12,800
B2	18,950
F	5/16-24

WEIGHT, KG 0,023

MANUFACTURER [ABC](#)

INTERCHANGE

IKO	CRH 10-1 V(B)UU
McGill	CFH 5/8 S(B)