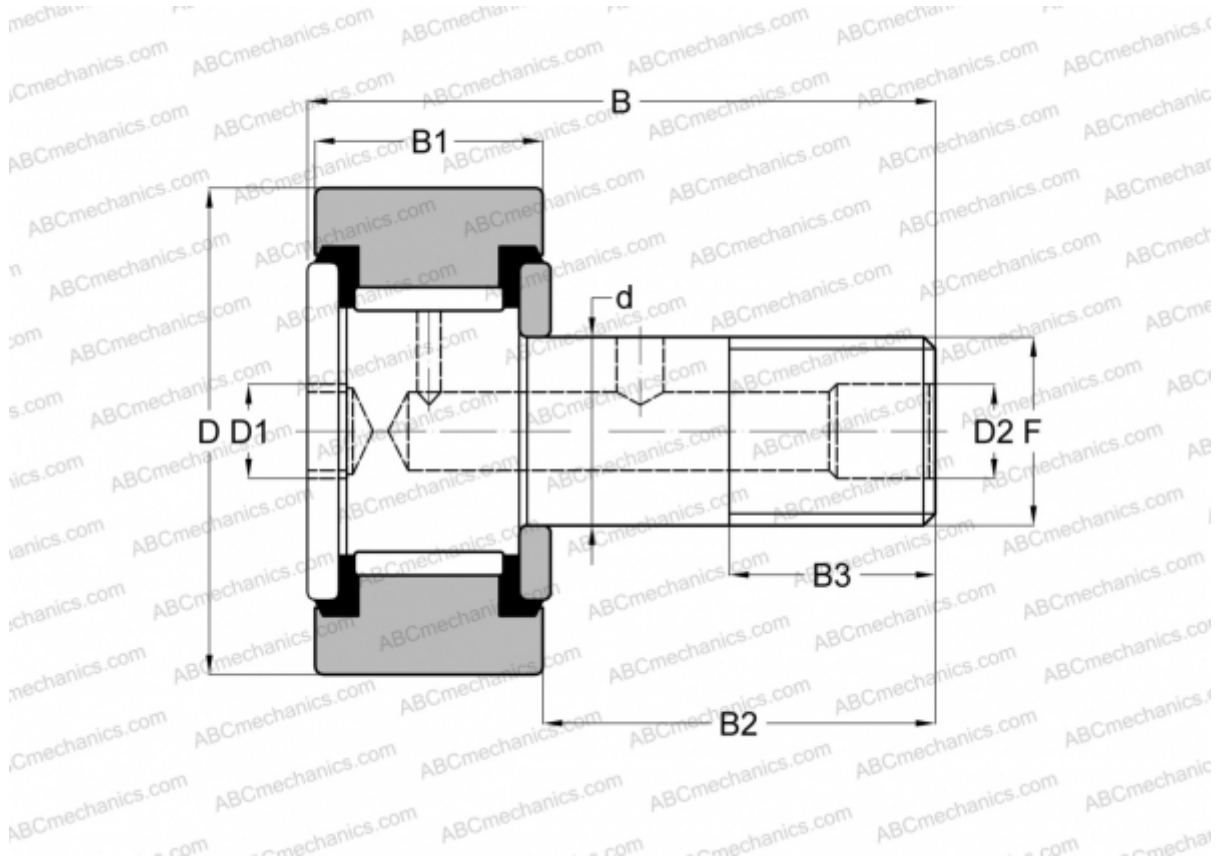


## CRH 11 V(B)UU IKO

Cam followers

TYPE: Roller bearings, Stud type track rollers, With axial guidance, full complement bearing, sealing rings on both sides, cylindrical outer ring, heavy duty, inch size



### Technical specification

#### DIMENSIONS, MM

d	7,938
D	17,462
B	31,750
B1	12,800
B2	18,950
F	5/16-24

#### MANUFACTURER

[IKO](#)

#### INTERCHANGE

ABC	<a href="#">CRH 11 V(B)UU</a>
McGill	<a href="#">CFH 11/16 S(B)</a>

#### CALCULATION DATA

Basic dynamic load rating, C	6,340 kN
Basic static load rating, Co	8,530 kN