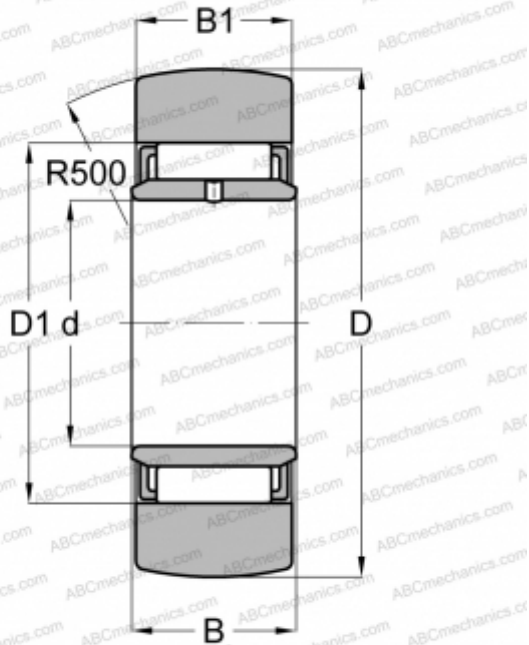


STO 15(NAST 15 DB) FAG

Yoke type track roller

TYPE: Roller bearings, Yoke type track rollers, Without axial guidance, With an inner ring, Outer ring without ribs



Technical specification

DIMENSIONS, MM

d	15,000
D	35,000
D1	26,000
B	12,000
B1	11,800

WEIGHT, KG

0,068

MANUFACTURER

[FAG](#)

INTERCHANGE

ABC	STO 15
INA	STO 15
SKF	STO 15
TORRINGTON	STO 15
IKO	NAST 15 R