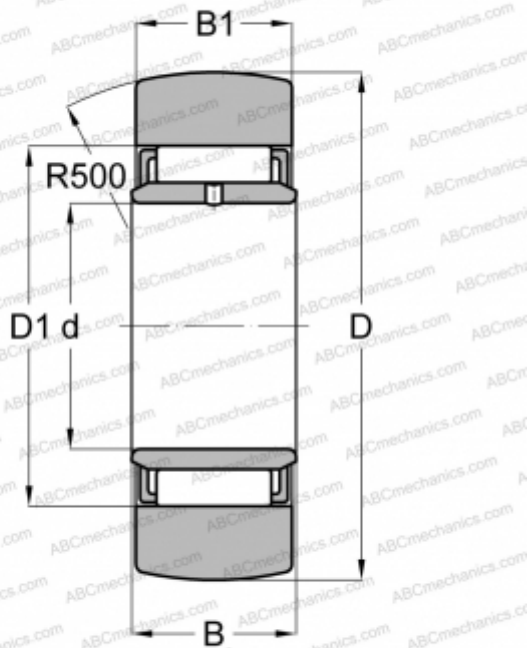


## STO 17 ABC

Yoke type track roller

TYPE: Roller bearings, Yoke type track rollers, Without axial guidance, With an inner ring, Outer ring without ribs



### Technical specification

#### DIMENSIONS, MM

d	17,000
D	40,000
D1	29,000
B	16,000
B1	15,800

#### WEIGHT, KG

0,118

#### MANUFACTURER

[ABC](#)

#### INTERCHANGE

FAG	<a href="#">STO 17(NAST 17 DB)</a>
INA	<a href="#">STO 17</a>
SKF	<a href="#">STO 17</a>
TORRINGTON	<a href="#">STO 17</a>
IKO	<a href="#">NAST 17 R</a>