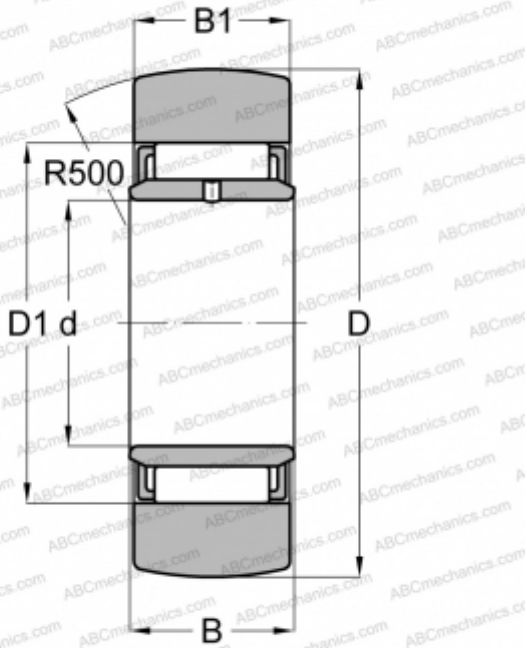


## STO 20 TORRINGTON

Yoke type track roller

TYPE: Roller bearings, Yoke type track rollers, Without axial guidance, With an inner ring, Outer ring without ribs



### Technical specification

#### DIMENSIONS, MM

d	20,000
D	47,000
D1	32,000
B	16,000
B1	15,800

#### WEIGHT, KG

0,159

#### MANUFACTURER

[TORRINGTON](#)

#### INTERCHANGE

ABC	<a href="#">STO 20</a>
FAG	<a href="#">STO 20(NAST 20 DB)</a>
INA	<a href="#">STO 20</a>
SKF	<a href="#">STO 20</a>
IKO	<a href="#">NAST 20 R</a>