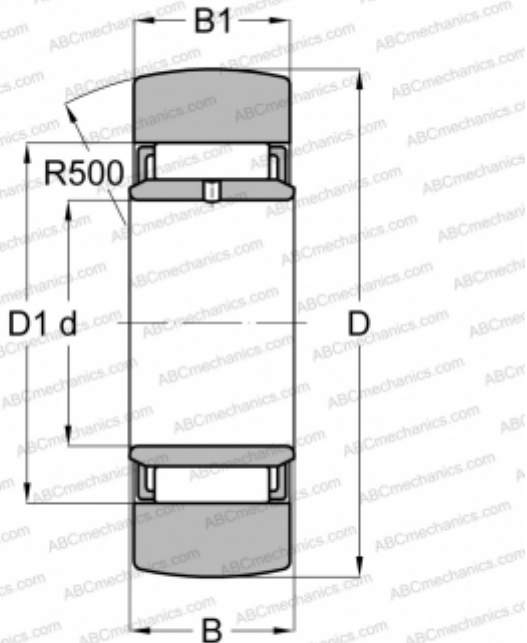


STO 45 SKF

Yoke type track roller

TYPE: Roller bearings, Yoke type track rollers, Without axial guidance, With an inner ring, Outer ring without ribs



Technical specification

DIMENSIONS, MM

d	45,000
D	85,000
D1	63,000
B	20,000
B1	19,800

WEIGHT, KG

0,580

MANUFACTURER

[SKF](#)

INTERCHANGE

ABC	STO 45
FAG	STO 45(NAST 45 DB)
INA	STO 45
TORRINGTON	STO 45
IKO	NAST 45 R

CALCULATION DATA

Basic dynamic load rating, C	25,100 kN
Basic static load rating, Co	43,000 kN
Fatigue load limit, Pu	5,300 kN
Limiting speed	1700 r/min