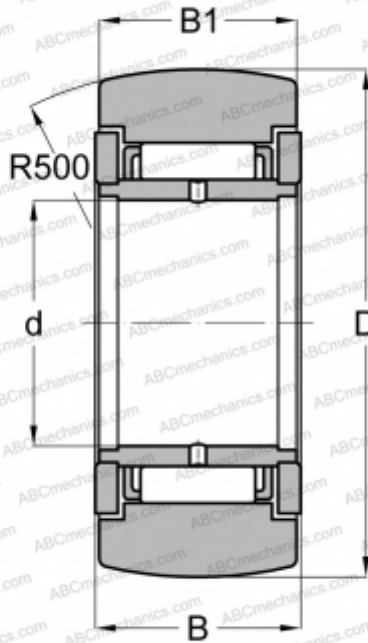


## NAST 8 ZZR IKO

Yoke type track roller

TYPE: Roller bearings, Yoke type track rollers, Without axial guidance, Outer ring without ribs, shields 2Z, With an inner ring



### Technical specification

#### DIMENSIONS, MM

d	8,000
D	24,000
B	14,000
B1	13,800

#### WEIGHT, KG

0,039

#### MANUFACTURER

[IKO](#)

#### INTERCHANGE

ABC	<a href="#">STO 8 ZZ</a>
FAG	<a href="#">STO 8 2Z(NAST 8 2Z)</a>
SKF	<a href="#">NAST 8 2Z</a>
TORRINGTON	<a href="#">STO 8 ZZ</a>

#### CALCULATION DATA

Basic dynamic load rating, C	5,650 kN
Basic static load rating, Co	5,890 kN