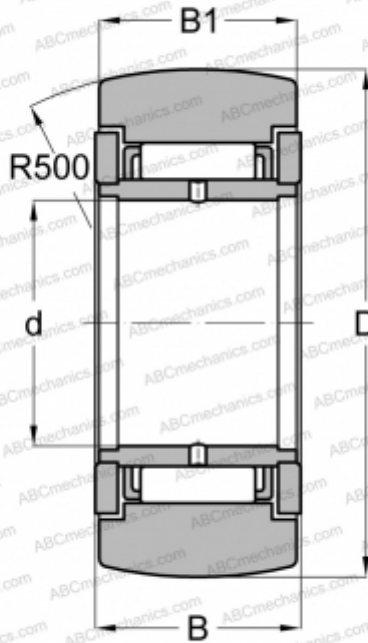


NAST 35 ZZR IKO

Yoke type track roller

TYPE: Roller bearings, Yoke type track rollers, Without axial guidance, Outer ring without ribs, shields 2Z, With an inner ring



Technical specification

DIMENSIONS, MM

d	35,000
D	72,000
B	25,000
B1	24,800

WEIGHT, KG

0,550

MANUFACTURER

[IKO](#)

INTERCHANGE

ABC	STO 35 ZZ
FAG	STO 35 2Z(NAST 35 2Z)
SKF	NAST 35 2Z
TORRINGTON	STO 35 ZZ

CALCULATION DATA

Basic dynamic load rating, C	32,400 kN
Basic static load rating, Co	50,600 kN