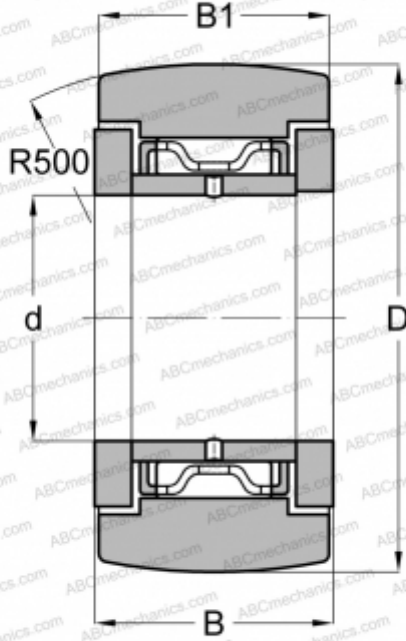


## NART 5 R IKO

Yoke type track roller

TYPE: Roller bearings, Yoke type track rollers, With axial guidance, Gap seals on both side



### Technical specification

#### DIMENSIONS, MM

d	5,000
D	16,000
B	12,000
B1	11,000

#### WEIGHT, KG

0,015

#### MANUFACTURER

[IKO](#)

#### INTERCHANGE

ABC	<a href="#">NATR 5</a>
FAG	<a href="#">NATR 5/ NATD 5</a>
INA	<a href="#">NATR 5</a>
McGill	<a href="#">MCYRR-5</a>
SKF	<a href="#">NATR 5</a>

#### CALCULATION DATA

Basic dynamic load rating, C	3,650 kN
Basic static load rating, Co	3,680 kN