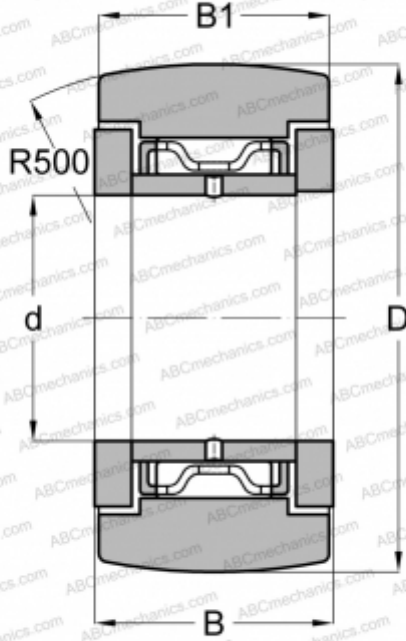


NART 10 R IKO

Yoke type track roller

TYPE: Roller bearings, Yoke type track rollers, With axial guidance, Gap seals on both side



Technical specification

DIMENSIONS, MM

d	10,000
D	30,000
B	15,000
B1	14,000

WEIGHT, KG

0,065

MANUFACTURER

[IKO](#)

INTERCHANGE

ABC	NATR 10
FAG	NATR 10/ NATD 10
INA	NATR 10
McGill	MCYRR-10
SKF	NATR 10

CALCULATION DATA

Basic dynamic load rating, C	8,030 kN
Basic static load rating, Co	7,540 kN