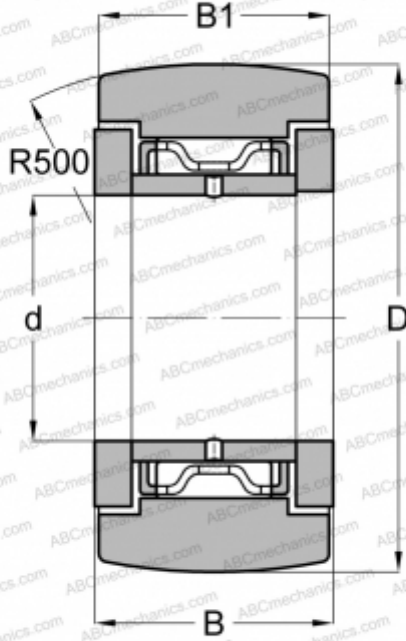


NATR 12 R IKO

Yoke type track roller

TYPE: Roller bearings, Yoke type track rollers, With axial guidance, Gap seals on both side



Technical specification

DIMENSIONS, MM

d	12,000
D	32,000
B	15,000
B1	14,000

WEIGHT, KG

0,071

MANUFACTURER

[IKO](#)

INTERCHANGE

ABC	NATR 12
FAG	NATR 12/ NATD 12
INA	NATR 12
McGill	MCYRR-12
SKF	NATR 12

CALCULATION DATA

Basic dynamic load rating, C	8,580 kN
Basic static load rating, Co	8,470 kN