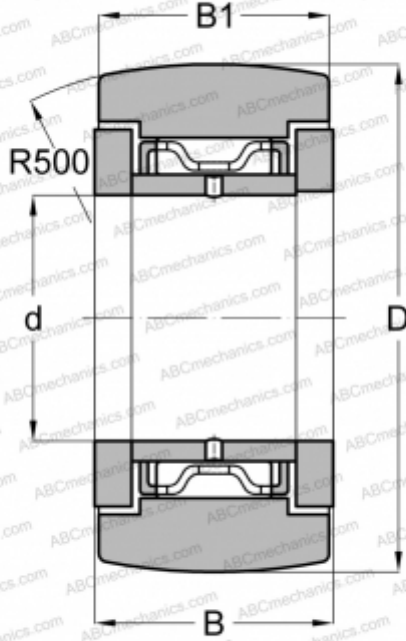


NATR 15 R IKO

Yoke type track roller

TYPE: Roller bearings, Yoke type track rollers, With axial guidance, Gap seals on both side



Technical specification

DIMENSIONS, MM

d	15,000
D	35,000
B	19,000
B1	18,000

WEIGHT, KG

0,102

MANUFACTURER

[IKO](#)

INTERCHANGE

ABC	NATR 15
INA	NATR 15
McGill	MCYRR-15
SKF	NATR 15

CALCULATION DATA

Basic dynamic load rating, C	13,700 kN
Basic static load rating, Co	16,400 kN