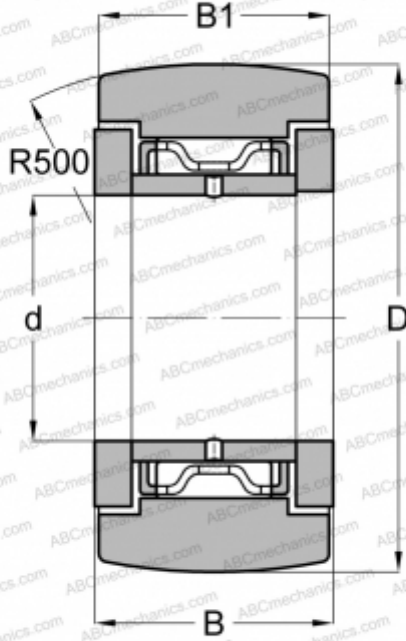


NATR 17 SKF

Yoke type track roller

TYPE: Roller bearings, Yoke type track rollers, With axial guidance, Gap seals on both side



Technical specification

DIMENSIONS, MM

| | |
|----|--------|
| d | 17,000 |
| D | 40,000 |
| B | 21,000 |
| B1 | 20,000 |

WEIGHT, KG

0,140

MANUFACTURER

[SKF](#)

INTERCHANGE

| | |
|--------|---------------------------|
| ABC | NATR 17 |
| INA | NATR 17 |
| IKO | NART 17 R |
| McGill | MCYRR-17 |

CALCULATION DATA

| | |
|------------------------------|------------|
| Basic dynamic load rating, C | 10,500 kN |
| Basic static load rating, Co | 14,600 kN |
| Fatigue load limit, Pu | 1,730 kN |
| Limiting speed | 3400 r/min |