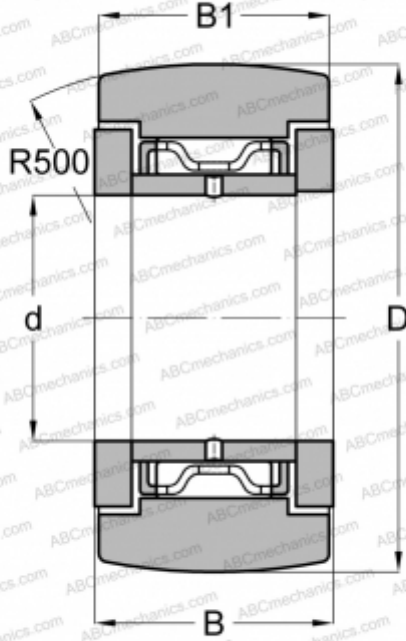


NATR 40 R IKO

Yoke type track roller

TYPE: Roller bearings, Yoke type track rollers, With axial guidance, Gap seals on both side



Technical specification

DIMENSIONS, MM

d	40,000
D	80,000
B	32,000
B1	30,000

WEIGHT, KG

0,845

MANUFACTURER

[IKO](#)

INTERCHANGE

ABC	NATR 40
McGill	MCYRR-40
SKF	NATR 40

CALCULATION DATA

Basic dynamic load rating, C	44,900 kN
Basic static load rating, Co	81,500 kN