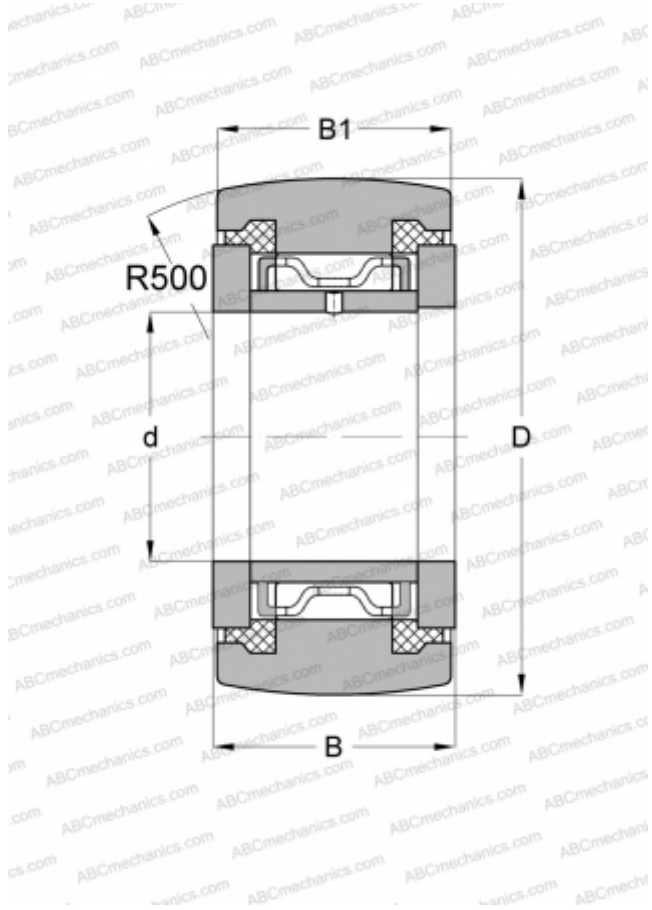


## NATR 17 PPA SKF

Yoke type track roller

TYPE: Roller bearings, Yoke type track rollers, With axial guidance, Sealing rings on both sides



### Technical specification

#### DIMENSIONS, MM

|    |        |
|----|--------|
| d  | 17,000 |
| D  | 40,000 |
| B  | 21,000 |
| B1 | 20,000 |

#### WEIGHT, KG

0,140

#### MANUFACTURER

[SKF](#)

#### INTERCHANGE

|        |                             |
|--------|-----------------------------|
| ABC    | <a href="#">NATR 17 PP</a>  |
| INA    | <a href="#">NATR 17 PP</a>  |
| IKO    | <a href="#">NART 17 UUR</a> |
| McGill | <a href="#">MCYRR-17-S</a>  |

#### CALCULATION DATA

|                              |            |
|------------------------------|------------|
| Basic dynamic load rating, C | 10,500 kN  |
| Basic static load rating, Co | 14,600 kN  |
| Fatigue load limit, Pu       | 1,730 kN   |
| Limiting speed               | 3400 r/min |