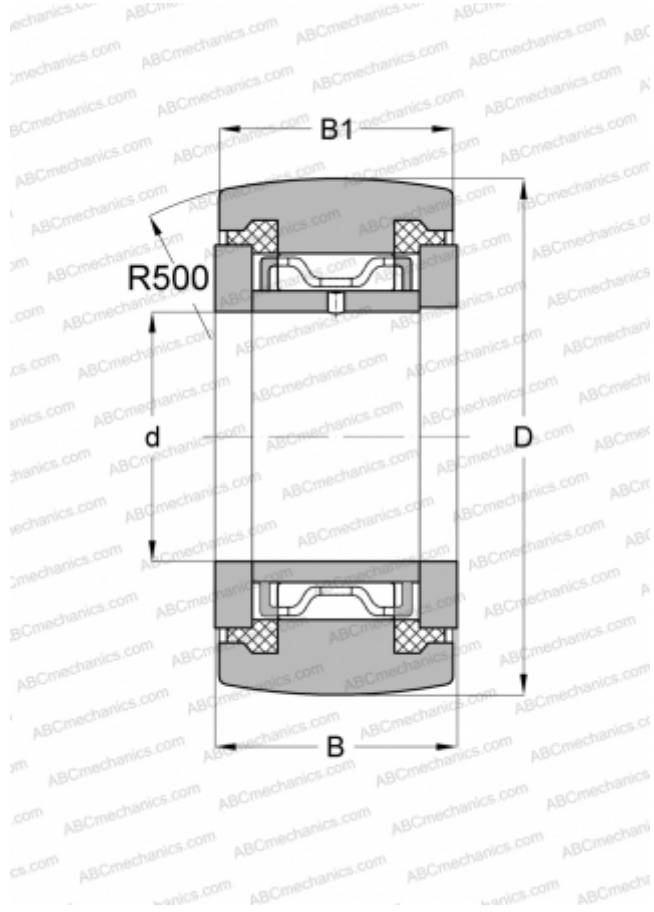


## NATR 20 PPA SKF

Yoke type track roller

TYPE: Roller bearings, Yoke type track rollers, With axial guidance, Sealing rings on both sides



### Technical specification

#### DIMENSIONS, MM

d	20,000
D	47,000
B	25,000
B1	24,000

#### WEIGHT, KG

0,240

#### MANUFACTURER

[SKF](#)

#### INTERCHANGE

ABC	<a href="#">NATR 20 PP</a>
INA	<a href="#">NATR 20 PP</a>
IKO	<a href="#">NART 20 UUR</a>
McGill	<a href="#">MCYRR-20-S</a>

#### CALCULATION DATA

Basic dynamic load rating, C	14,700 kN
Basic static load rating, Co	24,500 kN
Fatigue load limit, Pu	2,900 kN
Limiting speed	3000 r/min