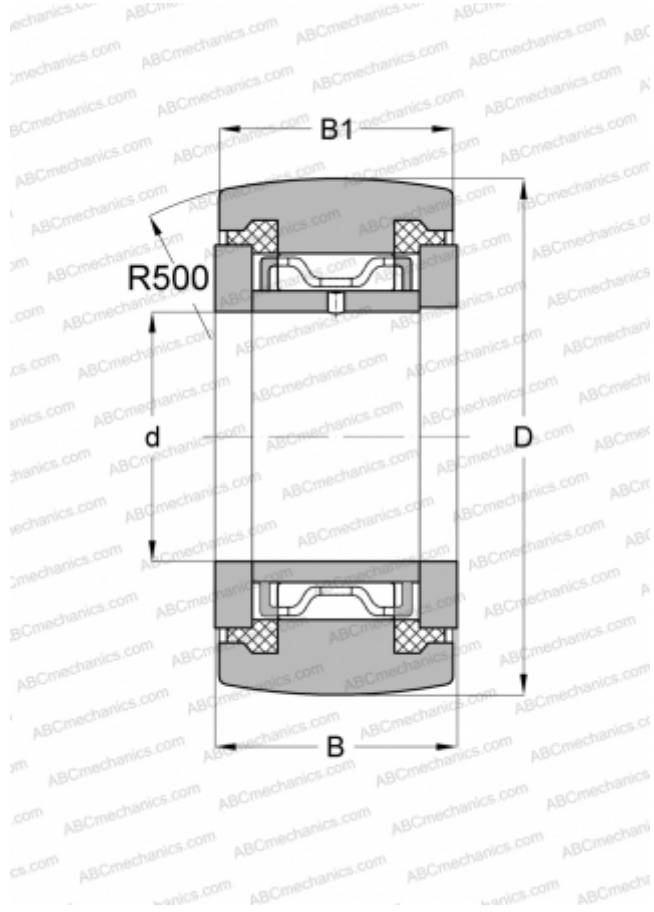


NATR 25 PP ABC

Yoke type track roller

TYPE: Roller bearings, Yoke type track rollers, With axial guidance, Sealing rings on both sides



Technical specification

DIMENSIONS, MM

d	25,000
D	52,000
B	25,000
B1	24,000

WEIGHT, KG

0,271

MANUFACTURER

[ABC](#)

INTERCHANGE

INA	NATR 25 PP
SKF	NATR 25 PPA
IKO	NART 25 UUR
McGill	MCYRR-25-S