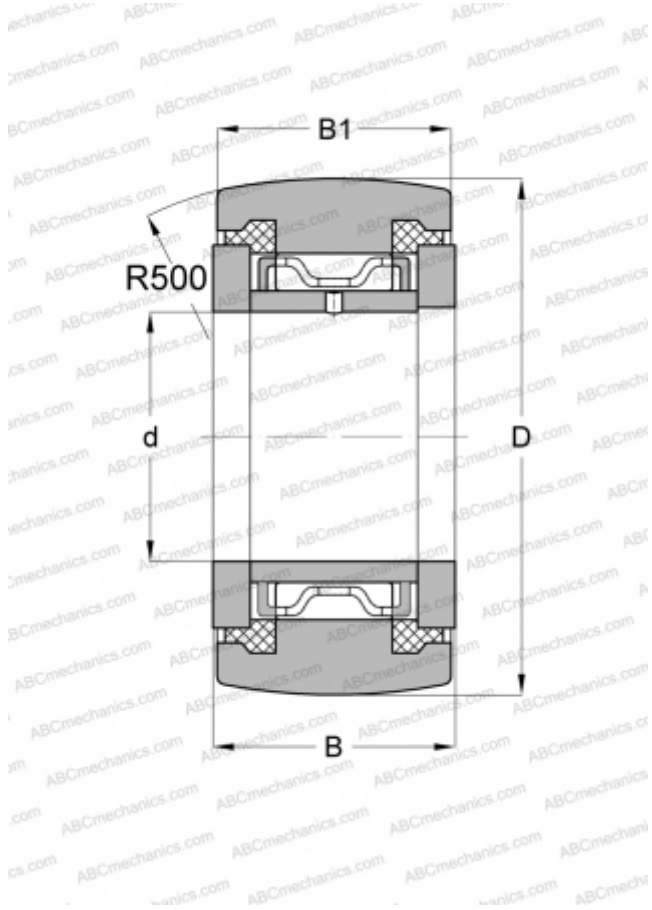


NATR 25 PPA SKF

Yoke type track roller

TYPE: Roller bearings, Yoke type track rollers, With axial guidance, Sealing rings on both sides



Technical specification

DIMENSIONS, MM

d	25,000
D	52,000
B	25,000
B1	24,000

WEIGHT, KG

0,270

MANUFACTURER

[SKF](#)

INTERCHANGE

ABC	NATR 25 PP
INA	NATR 25 PP
IKO	NART 25 UUR
McGill	MCYRR-25-S

CALCULATION DATA

Basic dynamic load rating, C	14,700 kN
Basic static load rating, Co	25,500 kN
Fatigue load limit, Pu	3,100 kN
Limiting speed	2400 r/min