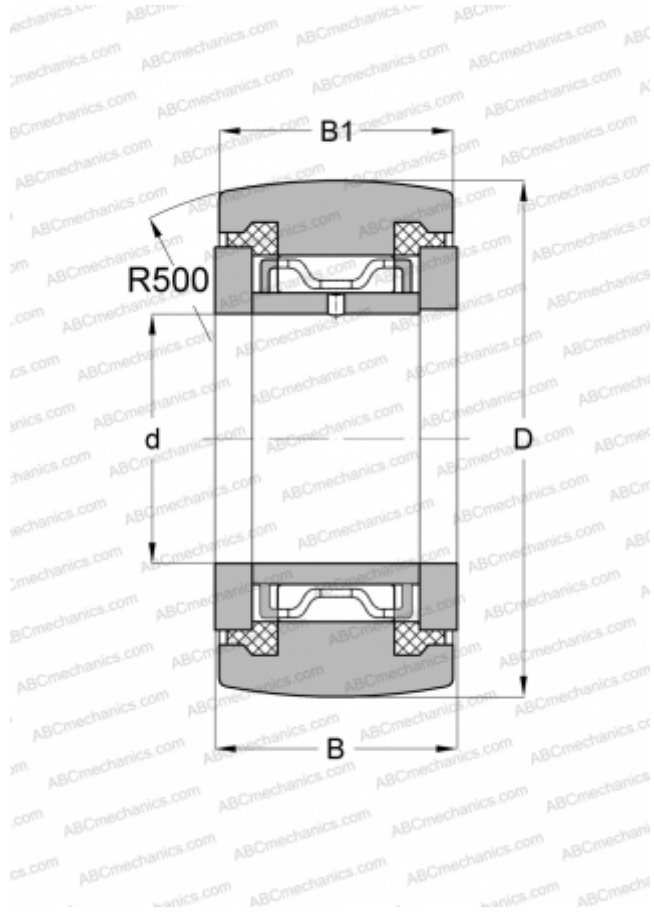


## NART 25 UUR IKO

Yoke type track roller

TYPE: Roller bearings, Yoke type track rollers, With axial guidance, Sealing rings on both sides



### Technical specification

#### DIMENSIONS, MM

d	25,000
D	52,000
B	25,000
B1	24,000

**WEIGHT, KG** 0,285

**MANUFACTURER** [IKO](#)

#### INTERCHANGE

ABC	<a href="#">NATR 25 PP</a>
INA	<a href="#">NATR 25 PP</a>
SKF	<a href="#">NATR 25 PPA</a>
McGill	<a href="#">MCYRR-25-S</a>

#### CALCULATION DATA

Basic dynamic load rating, C	24,700 kN
Basic static load rating, Co	35,400 kN