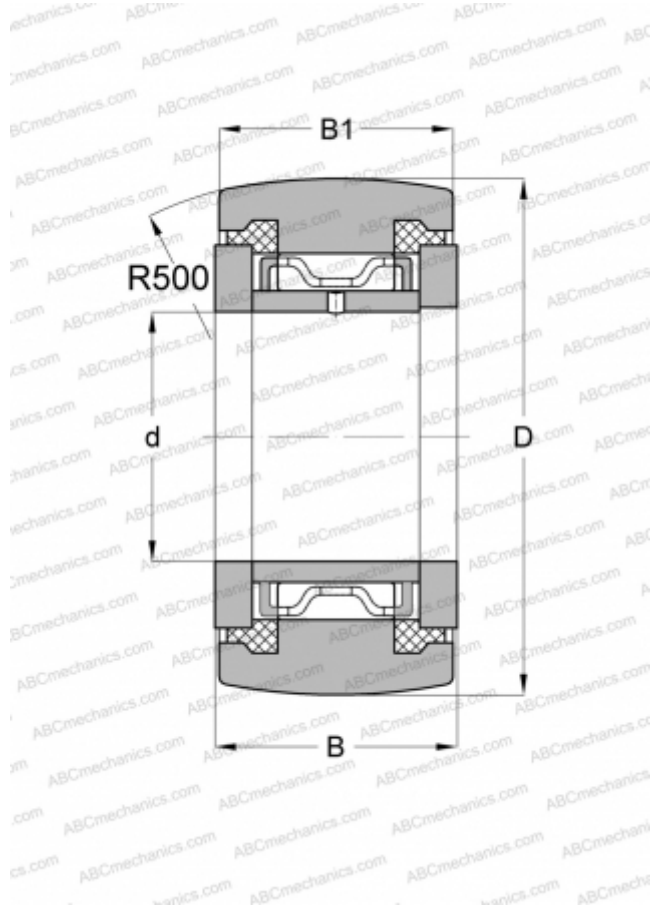


## NATR 35 PPA SKF

Yoke type track roller

TYPE: Roller bearings, Yoke type track rollers, With axial guidance, Sealing rings on both sides



### Technical specification

#### DIMENSIONS, MM

d	35,000
D	72,000
B	29,000
B1	28,000

#### WEIGHT, KG

0,550

#### MANUFACTURER

[SKF](#)

#### INTERCHANGE

ABC	<a href="#">NATR 35 PP</a>
IKO	<a href="#">NART 35 UUR</a>
McGill	<a href="#">MCYRR-35-S</a>

#### CALCULATION DATA

Basic dynamic load rating, C	24,600 kN
Basic static load rating, Co	43,000 kN
Fatigue load limit, Pu	5,300 kN
Limiting speed	1600 r/min