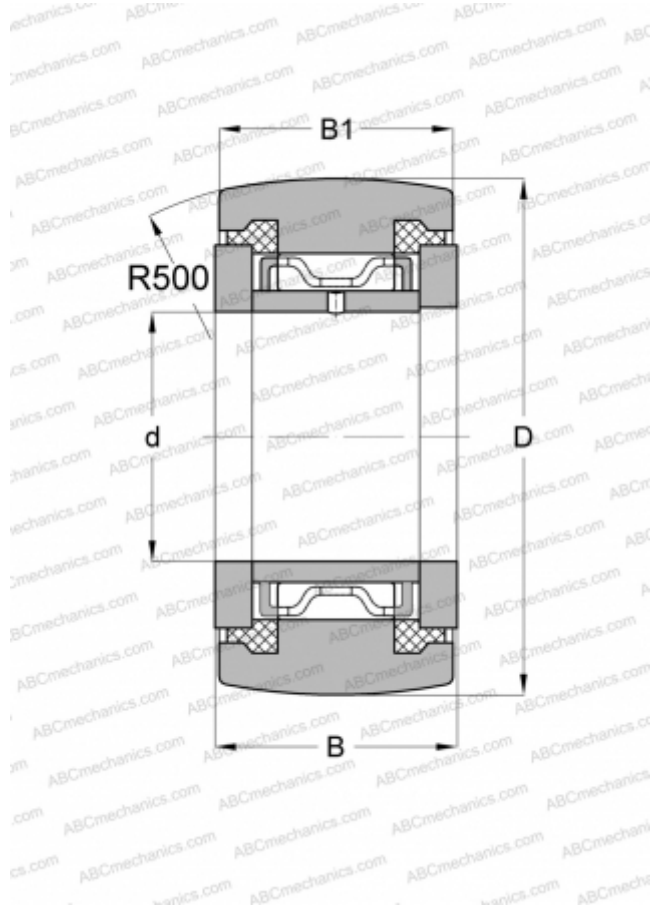


NART 35 UUR IKO

Yoke type track roller

TYPE: Roller bearings, Yoke type track rollers, With axial guidance, Sealing rings on both sides



Technical specification

DIMENSIONS, MM

d	35,000
D	72,000
B	29,000
B1	28,000

WEIGHT, KG

0,640

MANUFACTURER

[IKO](#)

INTERCHANGE

ABC	NATR 35 PP
SKF	NATR 35 PPA
McGill	MCYRR-35-S

CALCULATION DATA

Basic dynamic load rating, C	35,700 kN
Basic static load rating, Co	57,400 kN