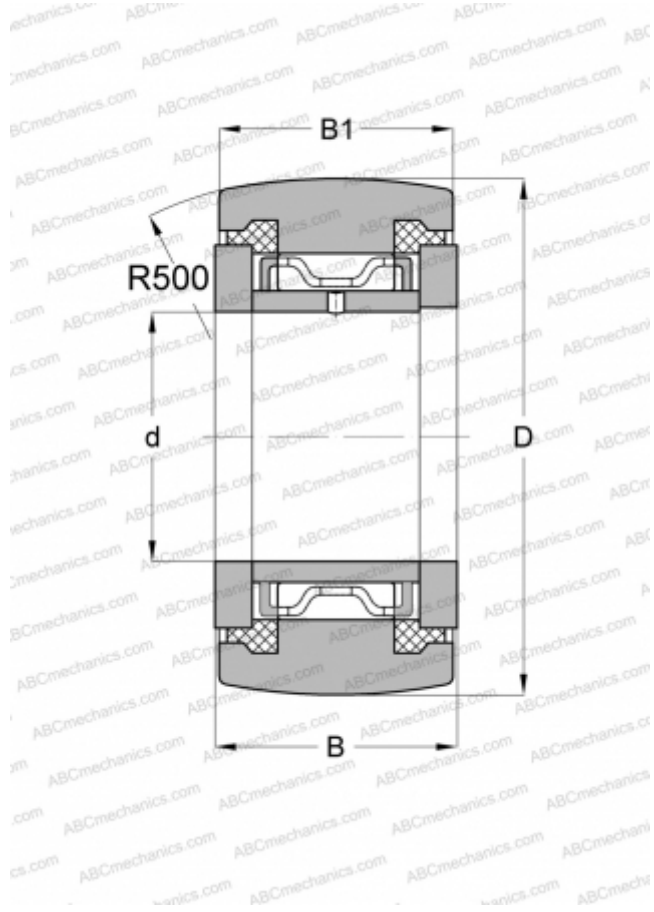


NATR 40 PPA SKF

Yoke type track roller

TYPE: Roller bearings, Yoke type track rollers, With axial guidance, Sealing rings on both sides



Technical specification

DIMENSIONS, MM

d	40,000
D	80,000
B	32,000
B1	30,000

WEIGHT, KG

0,800

MANUFACTURER

[SKF](#)

INTERCHANGE

ABC	NATR 40 PP
IKO	NART 40 UUR
McGill	MCYRR-40-S

CALCULATION DATA

Basic dynamic load rating, C	31,900 kN
Basic static load rating, Co	57,000 kN
Fatigue load limit, Pu	7,100 kN
Limiting speed	1500 r/min