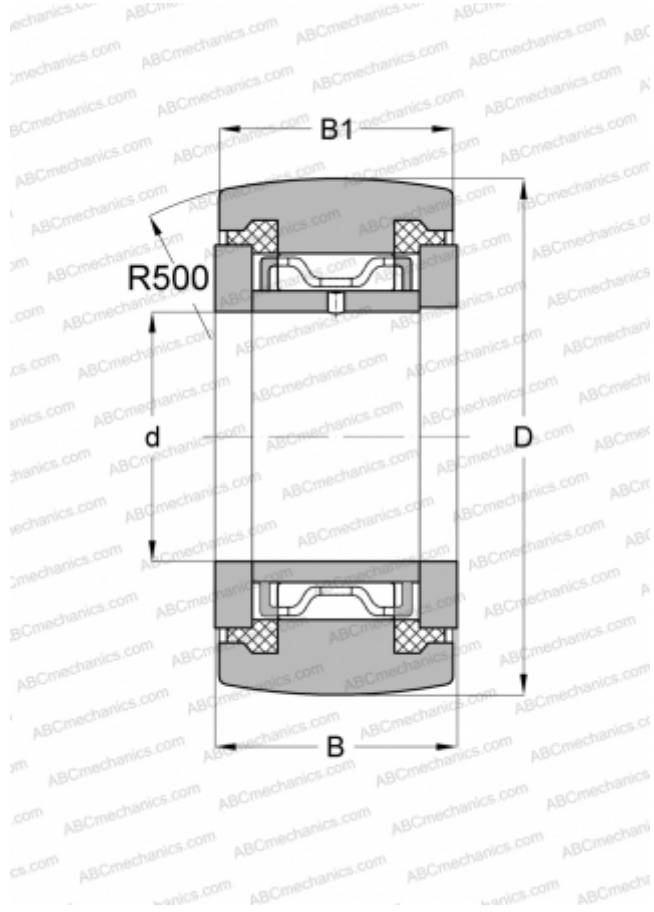


## NART 40 UUR IKO

Yoke type track roller

TYPE: Roller bearings, Yoke type track rollers, With axial guidance, Sealing rings on both sides



### Technical specification

#### DIMENSIONS, MM

d	40,000
D	80,000
B	32,000
B1	30,000

#### WEIGHT, KG

0,845

#### MANUFACTURER

[IKO](#)

#### INTERCHANGE

ABC	<a href="#">NATR 40 PP</a>
SKF	<a href="#">NATR 40 PPA</a>
McGill	<a href="#">MCYRR-40-S</a>

#### CALCULATION DATA

Basic dynamic load rating, C	44,900 kN
Basic static load rating, Co	81,500 kN