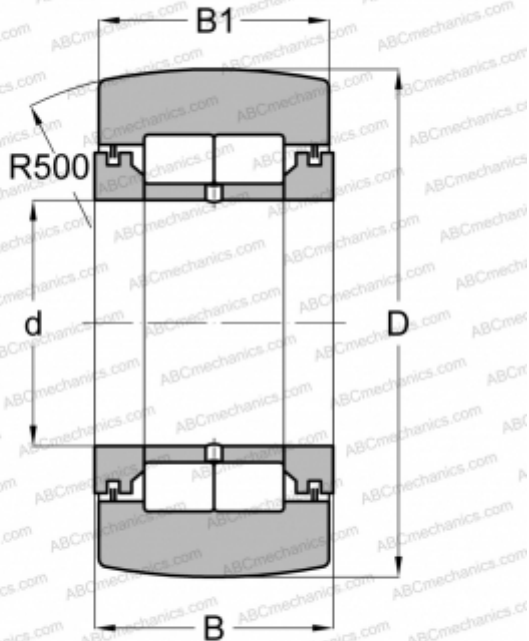


NUTR 17 R IKO

Yoke type track roller

TYPE: Roller bearings, Yoke type track rollers, With axial guidance, Full complement cylindrical roller set, labyrinth seals on both sides



Technical specification

DIMENSIONS, MM

d	17,000
D	40,000
B	21,000
B1	20,000

WEIGHT, KG

0,147

MANUFACTURER

[IKO](#)

INTERCHANGE

ABC	NUTR 17
FAG	NUTR 17(NUTD 17)
INA	NUTR 17
SKF	NUTR 17 A
McGill	MCYRD-17

CALCULATION DATA

Basic dynamic load rating, C	25,200 kN
Basic static load rating, Co	30,900 kN